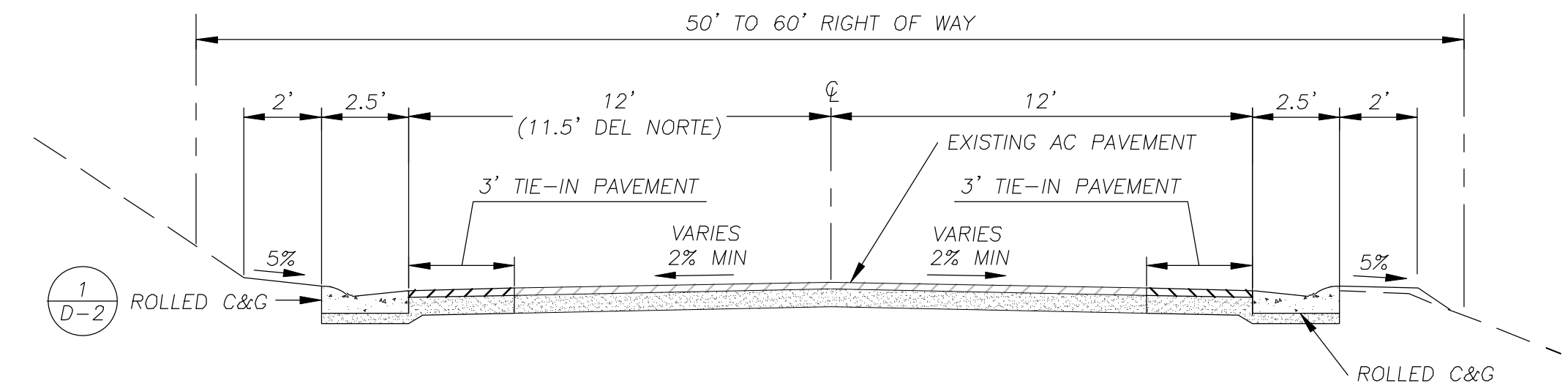
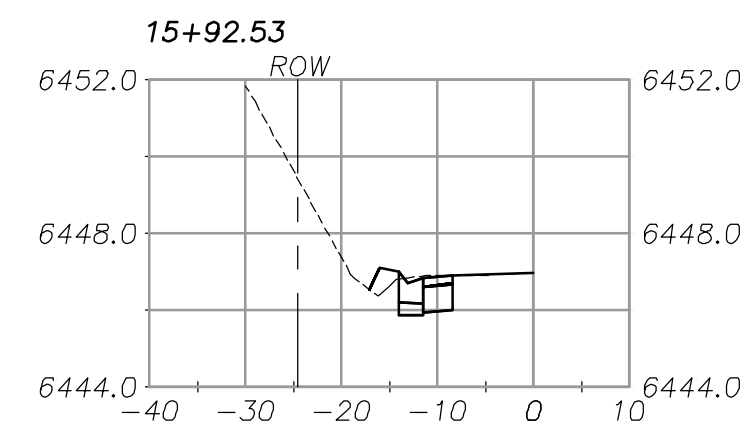
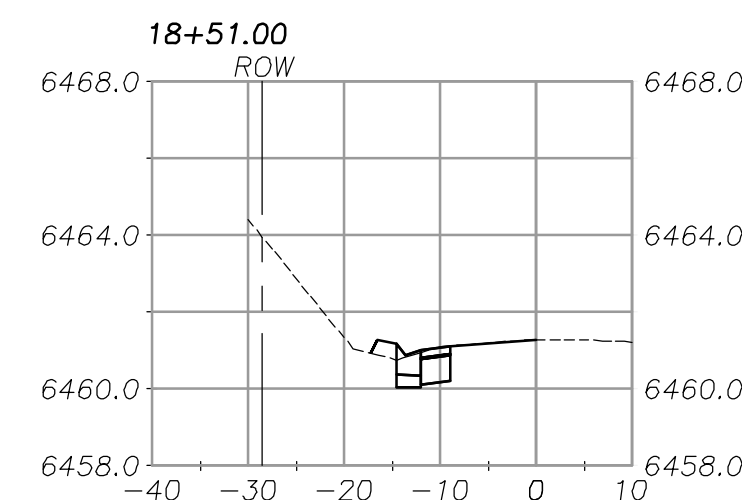
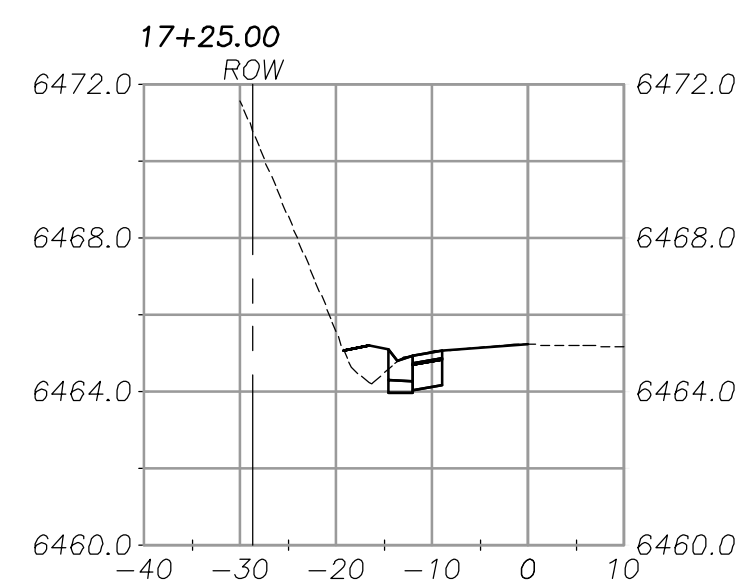


FOR REDUCED PLANS ORIGINAL SCALE IS IN INCHES

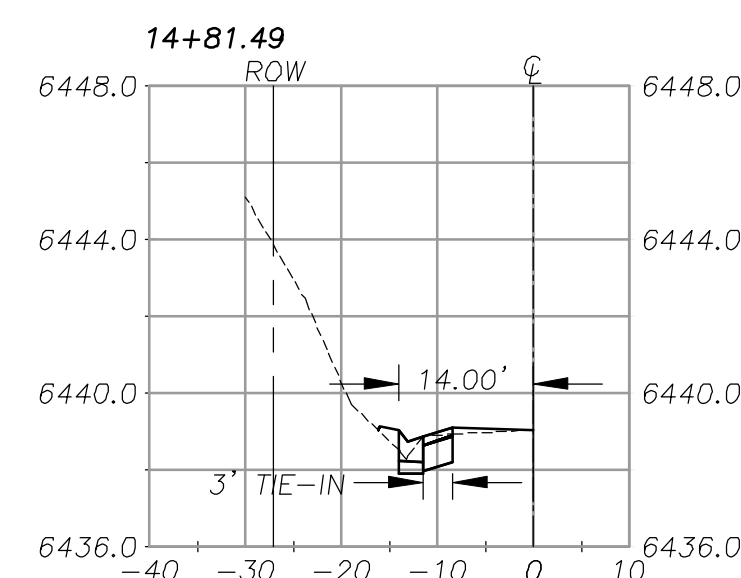
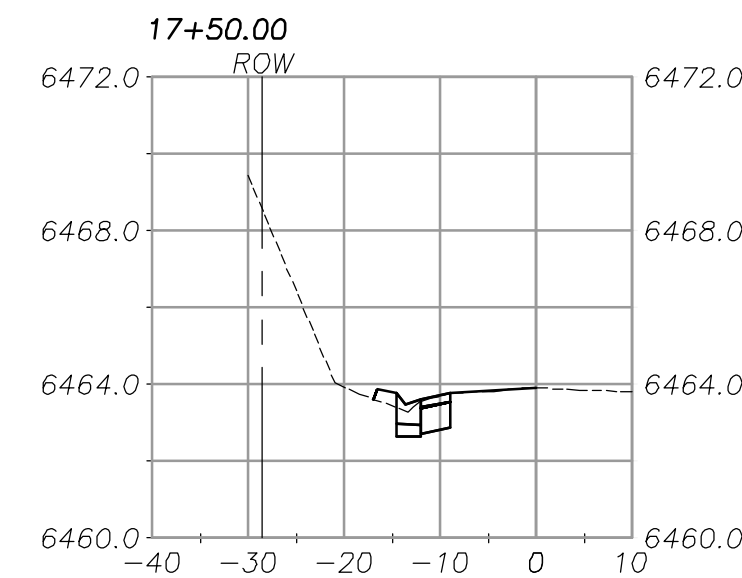
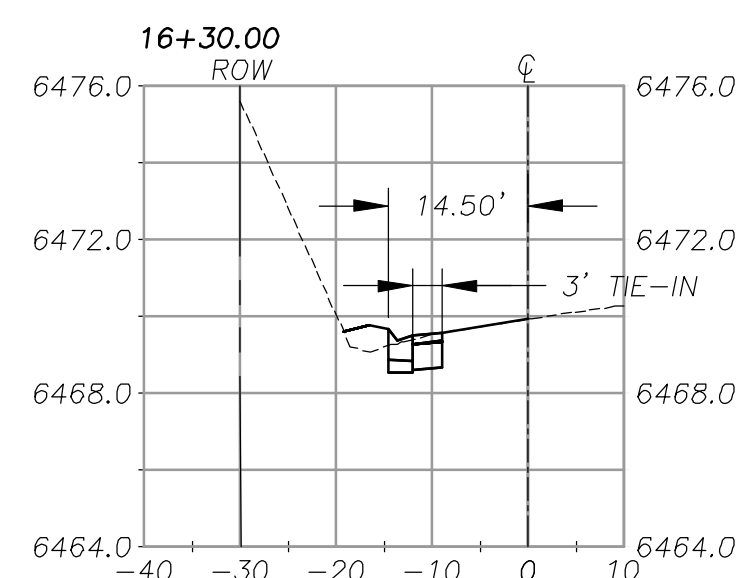
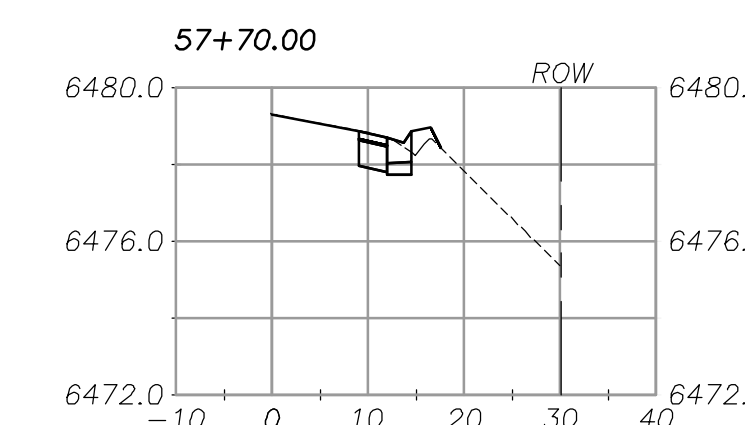
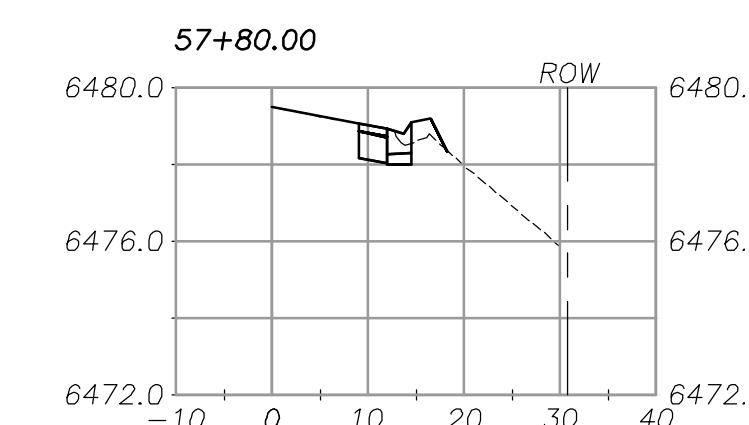
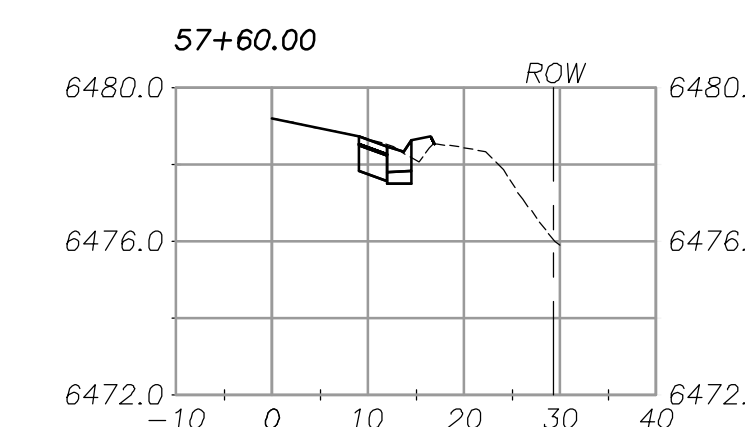
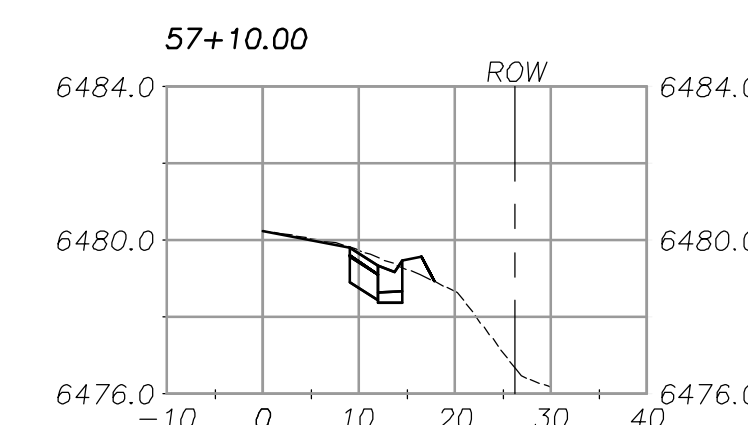
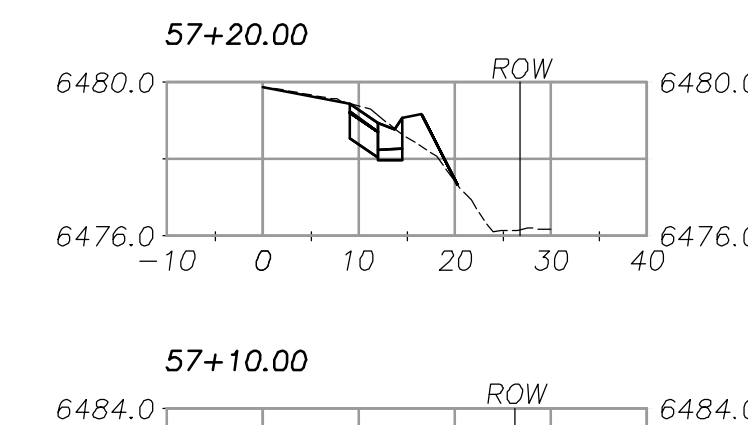
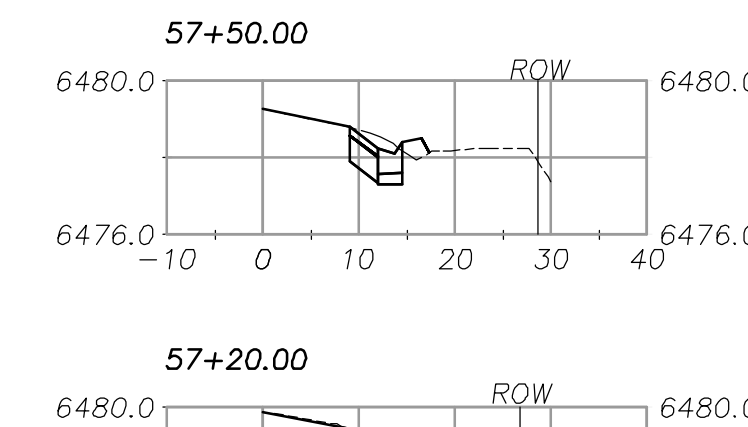
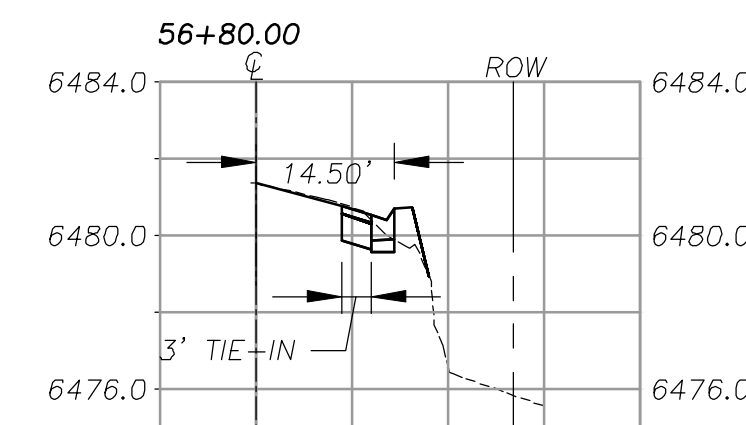
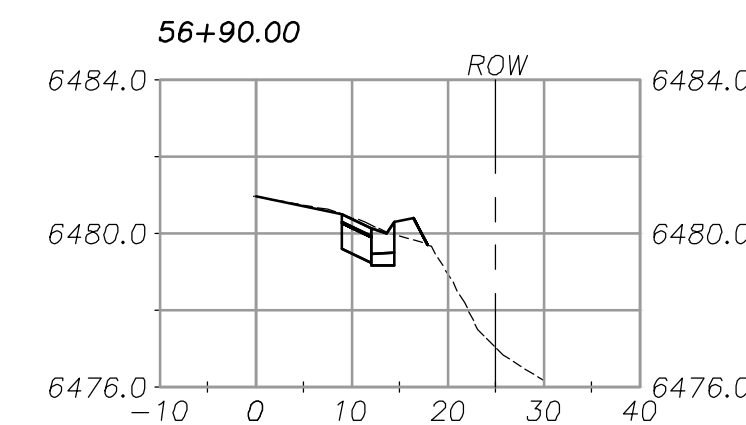
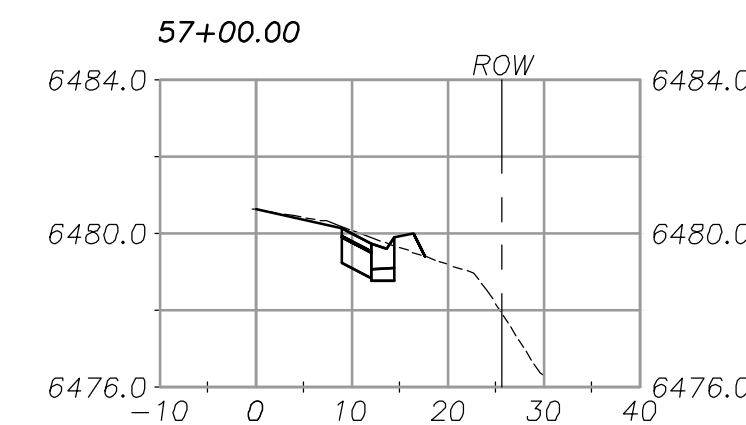
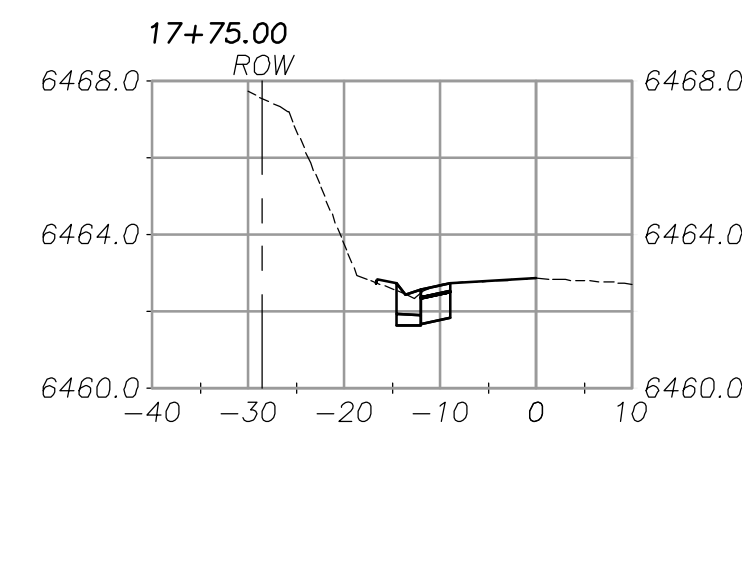
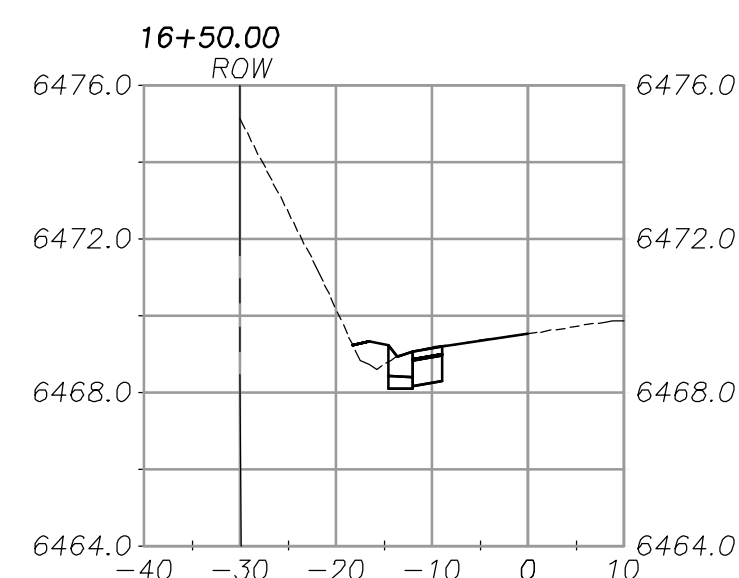
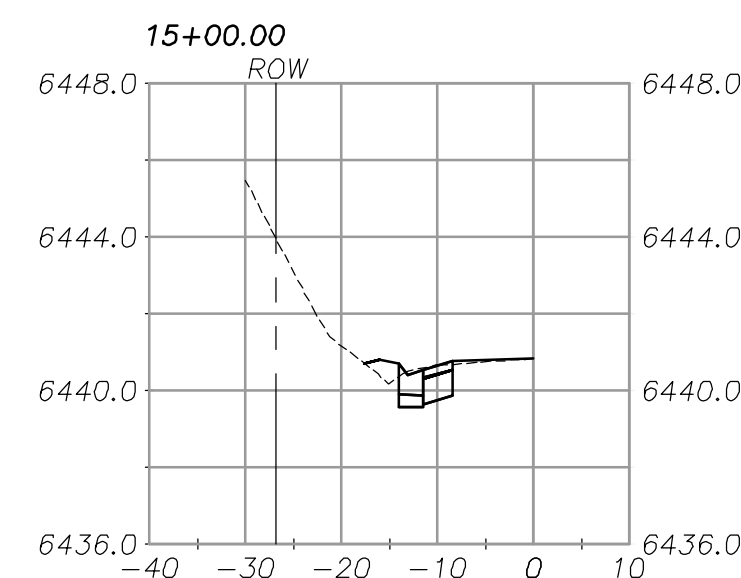
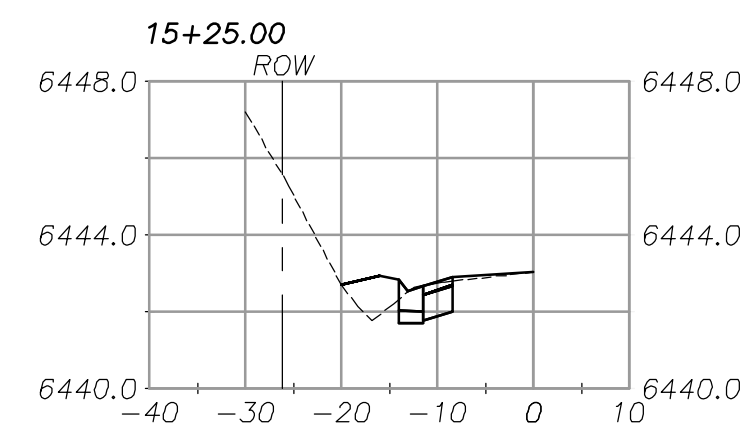
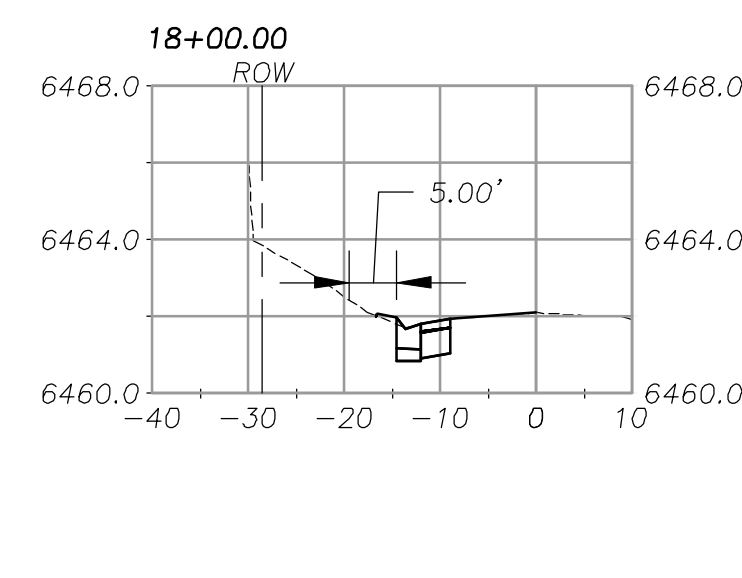
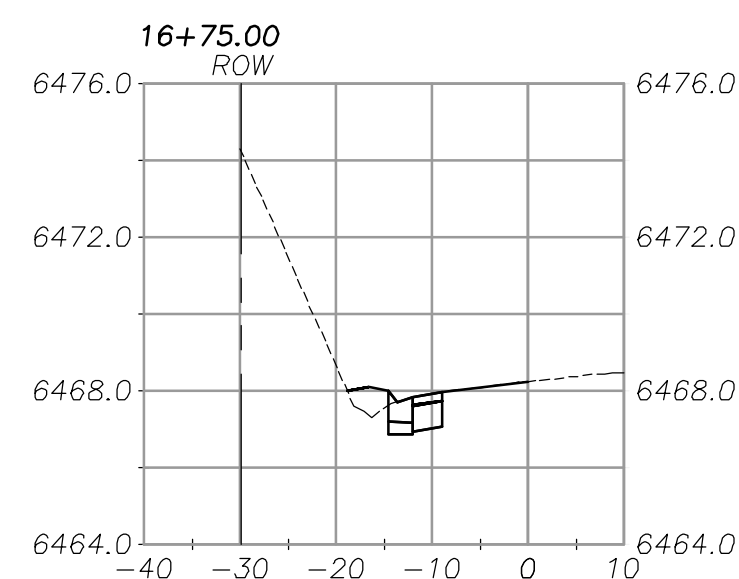
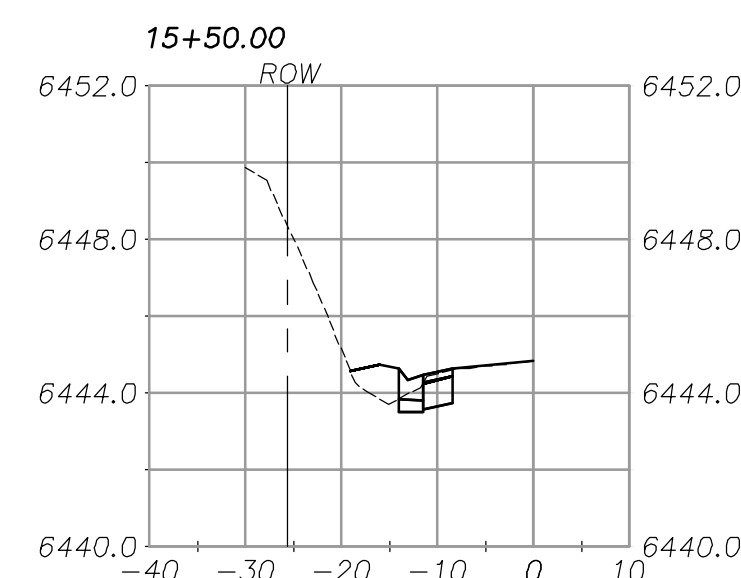
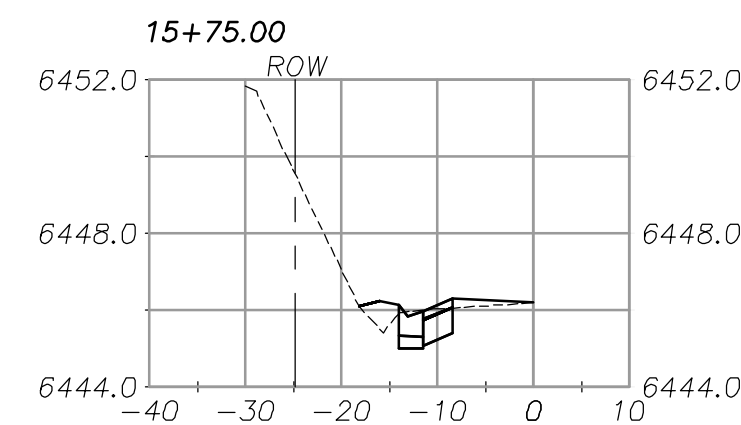
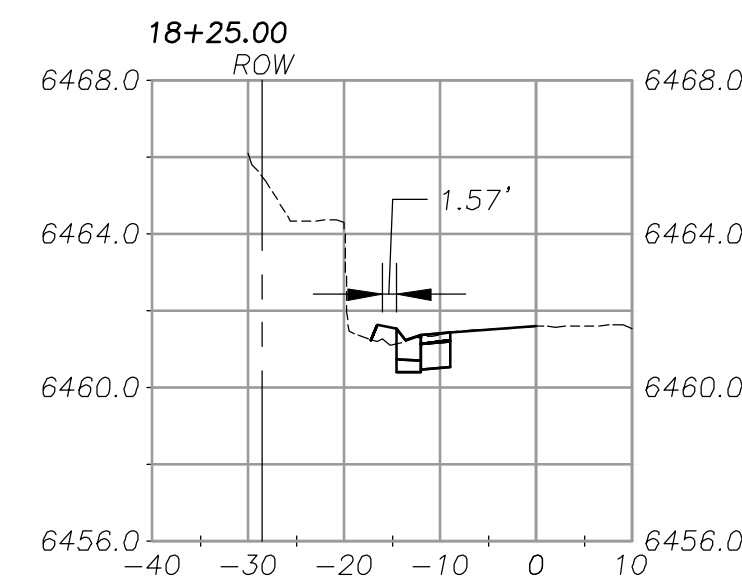
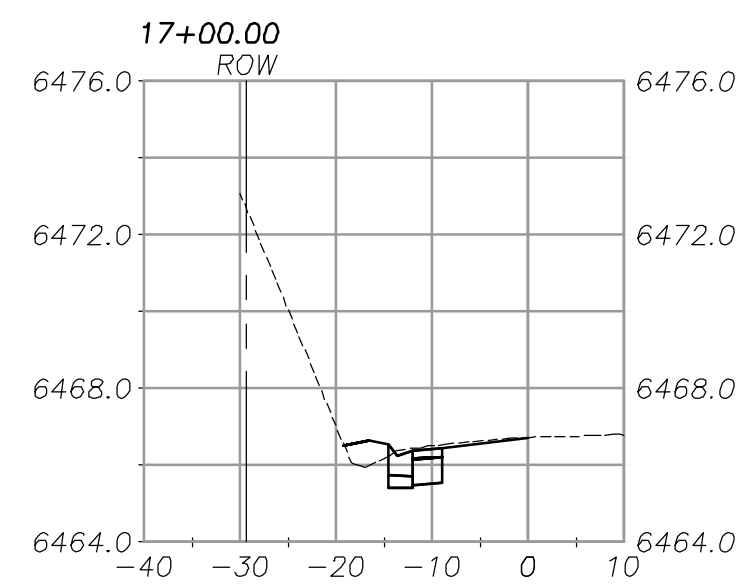


NOTE: 1) THIS IS A TYPICAL COUNTY ROAD SECTION AND MAY NOT REFLECT ACTUAL CONDITIONS OF THE ROADWAYS WITHIN THE APALACHEE PHASE 3B.1 PROJECT AREA, SEE CROSS SECTION SHEETS FOR ACTUAL SECTIONS.
2) PAVEMENT REPLACEMENT BEYOND THE 3' TIE-IN PAVEMENT SHALL BE PAID FOR UNDER MISC. PAVING.

TYPICAL ROAD SECTION WITH 12' TRAVEL LANES

NTS

1
X-1

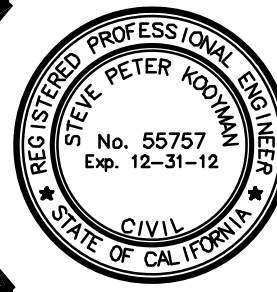


FORTUNE WAY
TYPICAL SECTION

DEL NORTE STREET
TYPICAL SECTIONS

COLD CREEK EAST
TYPICAL SECTIONS

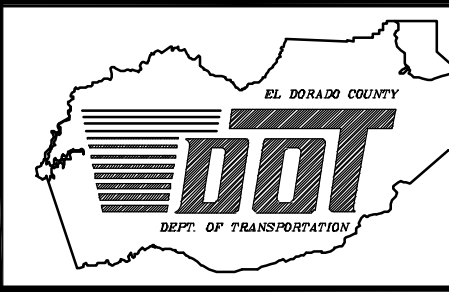
REVISION	NUMBER	DATE	DESCRIPTION	BY



PREPARED UNDER THE SUPERVISION OF:

 REGISTERED CIVIL ENGINEER
 DATE: 4/5/2011

DESIGNED: DWK
 DRAWN: JTC
 CHECKED: DSP
 DATE: 03/2011
 ROAD NUMBER:

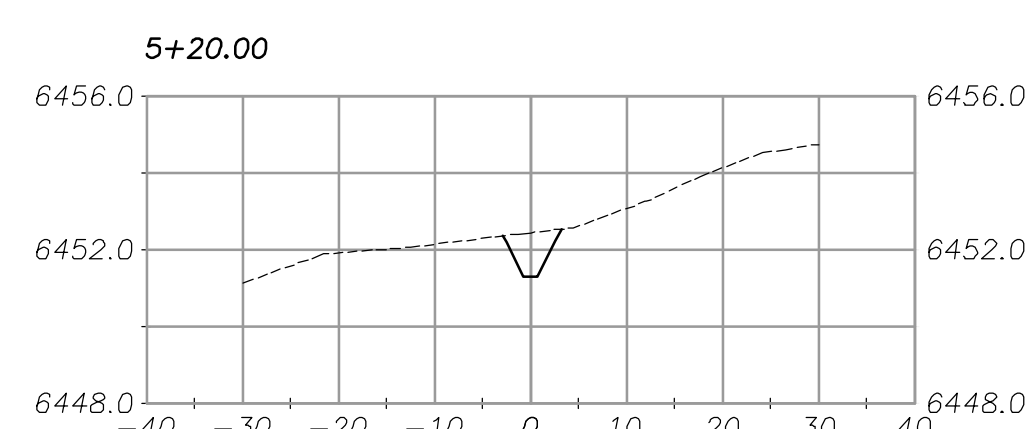
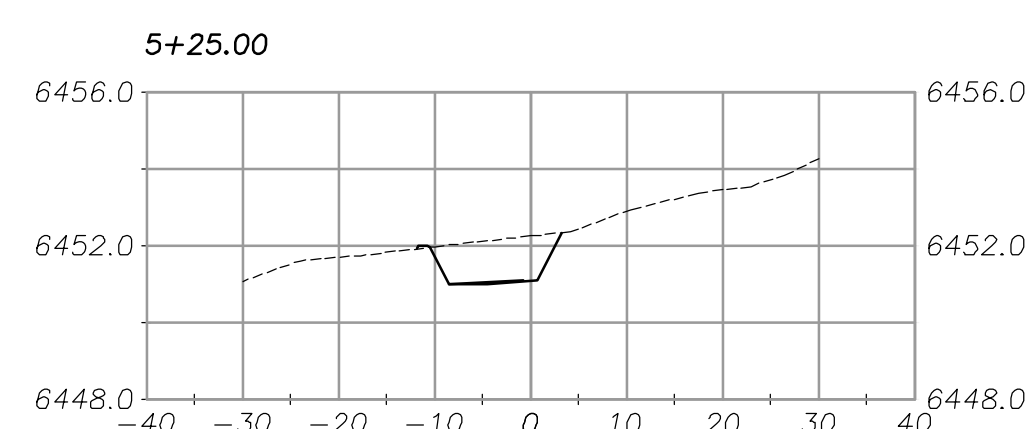
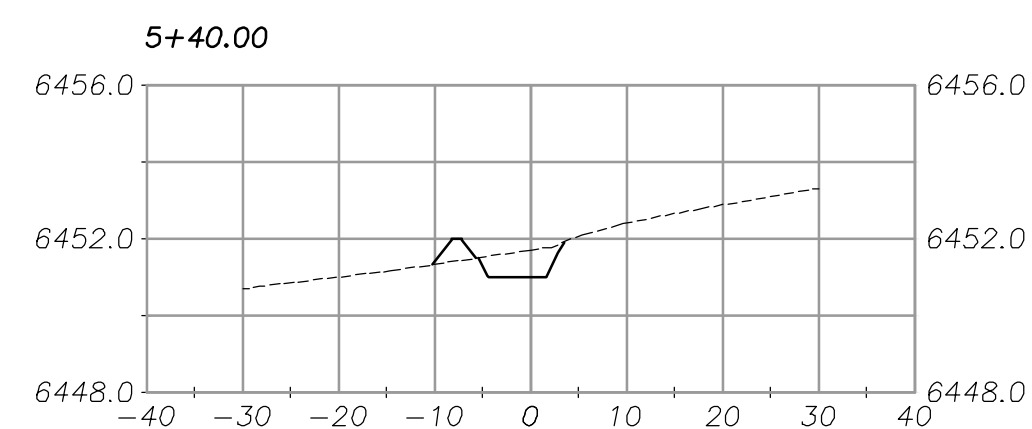
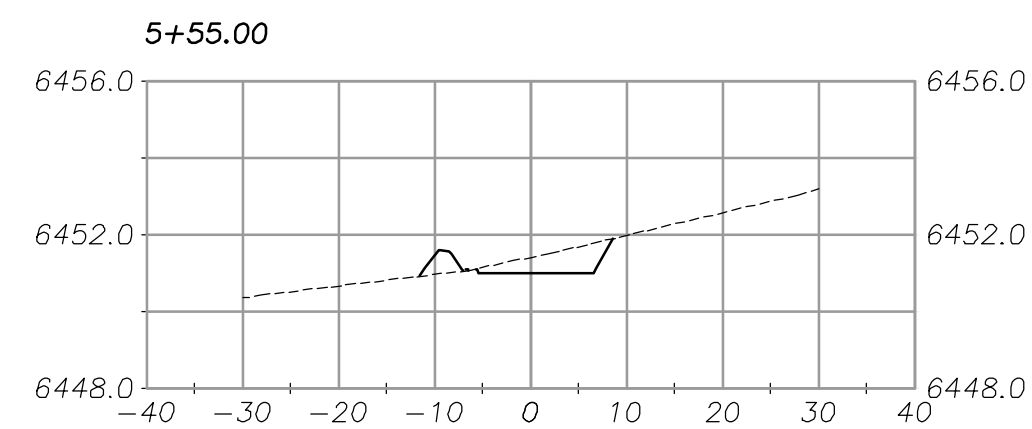


EL DORADO COUNTY
 DEPARTMENT OF TRANSPORTATION

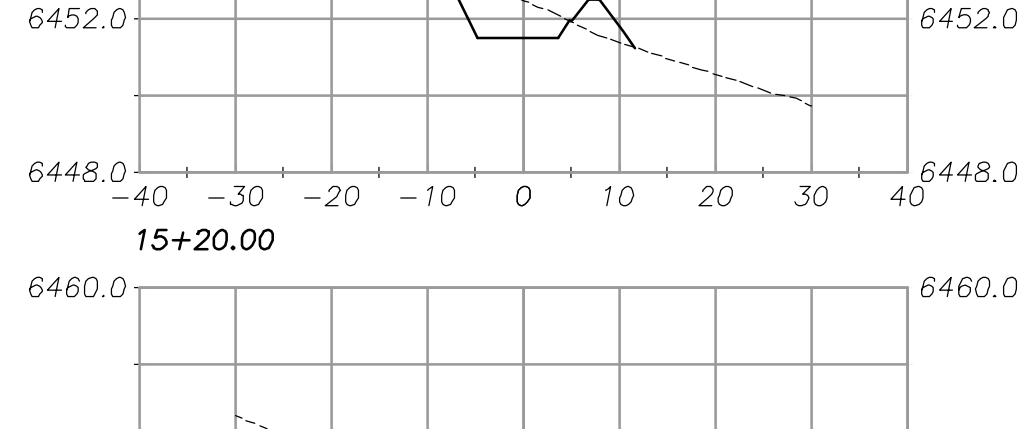
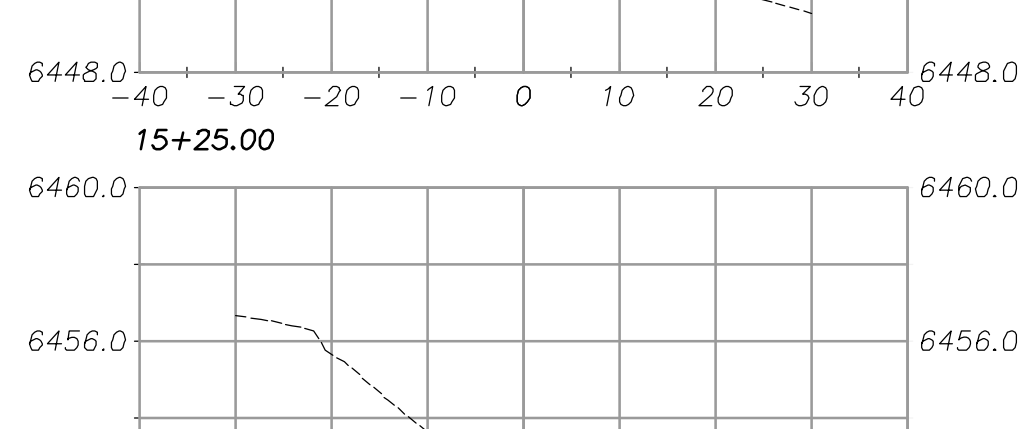
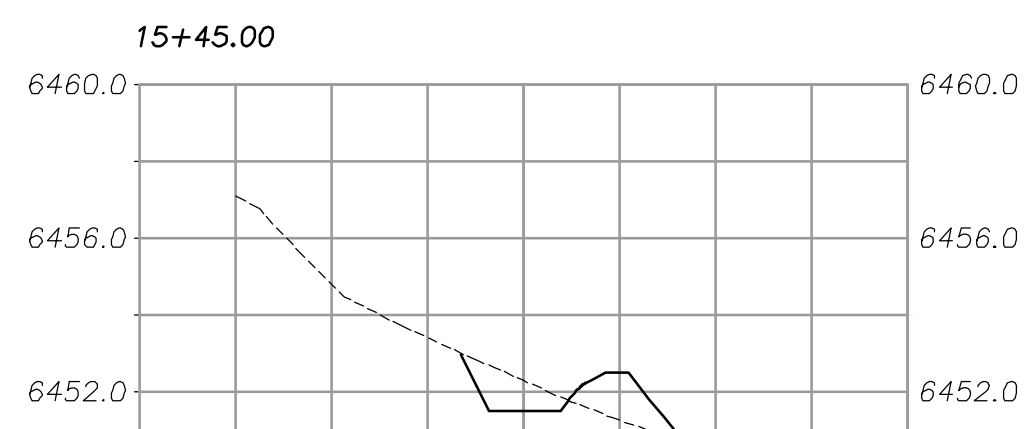
MONTGOMERY ESTATES AREA 1A
 CURB X SECTIONS

SHEET
 X-1
 1 of 2
 CONTRACT NO.
 PW 09-30485
 CIP No.
 95155

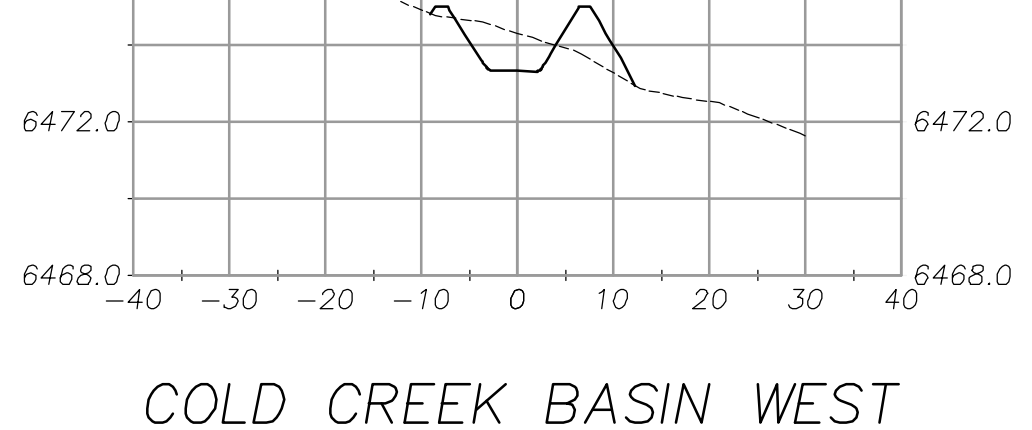
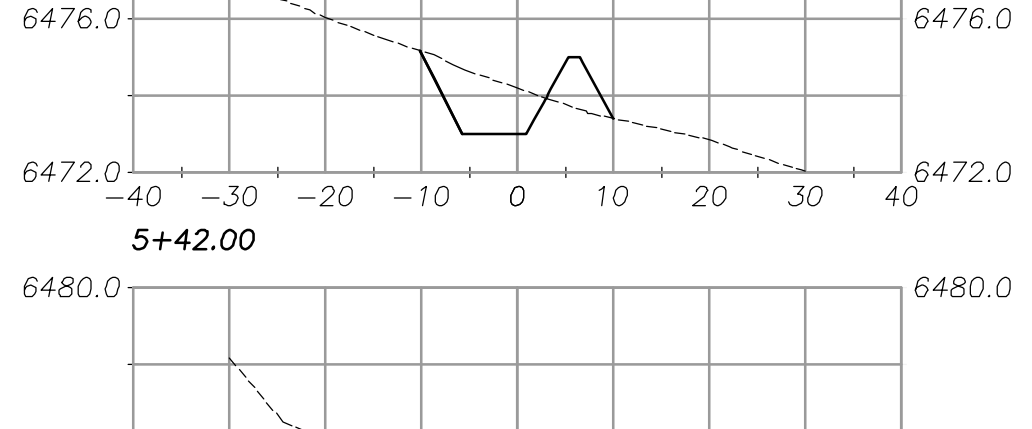
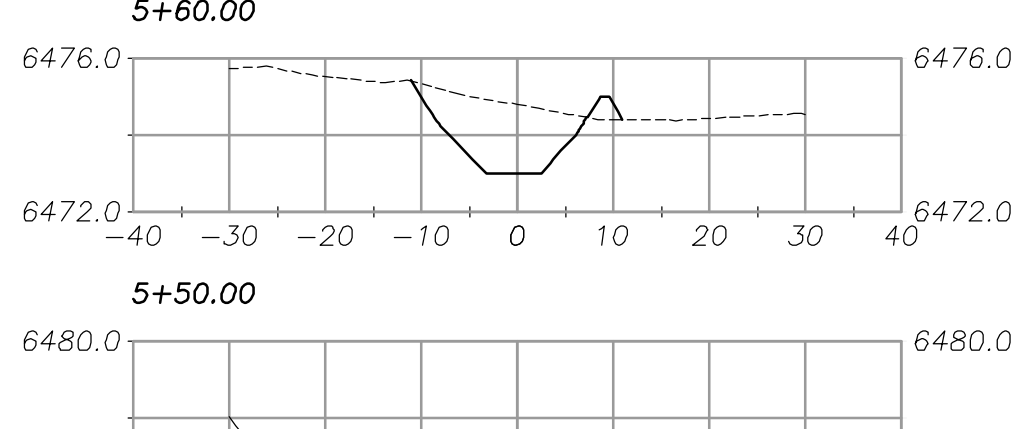
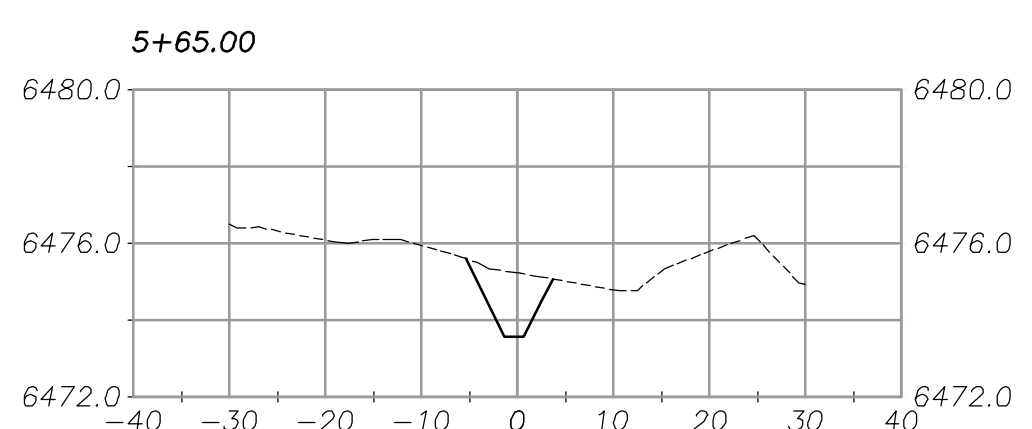
FOR REDUCED PLANS ORIGINAL SCALE IS IN INCHES



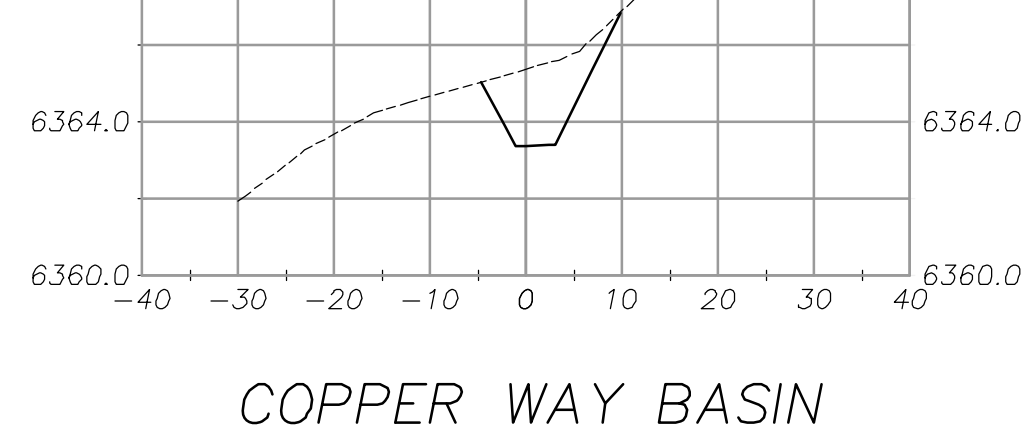
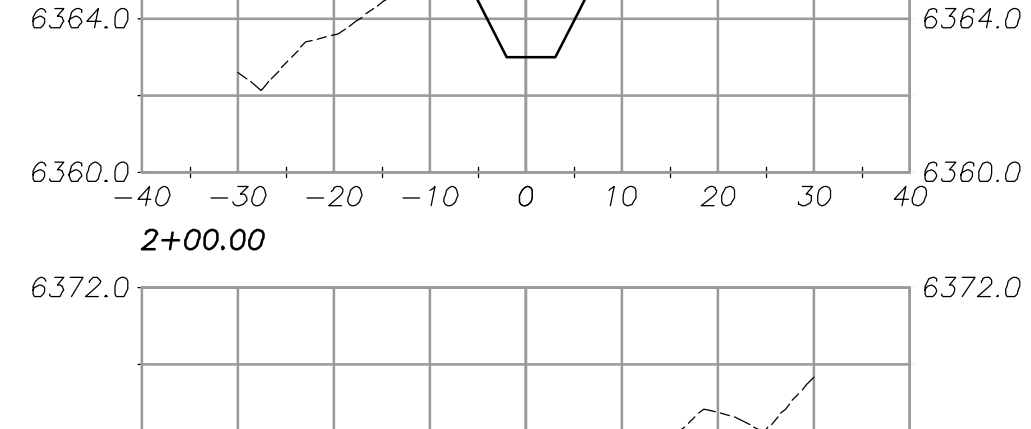
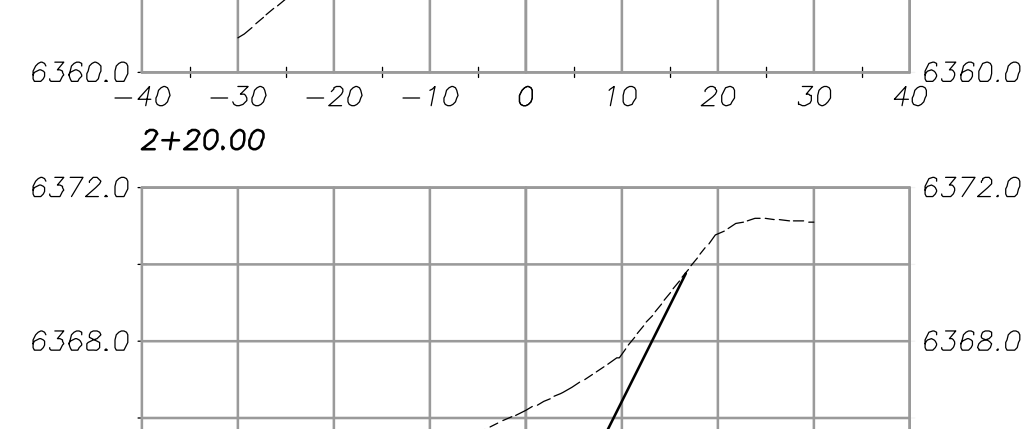
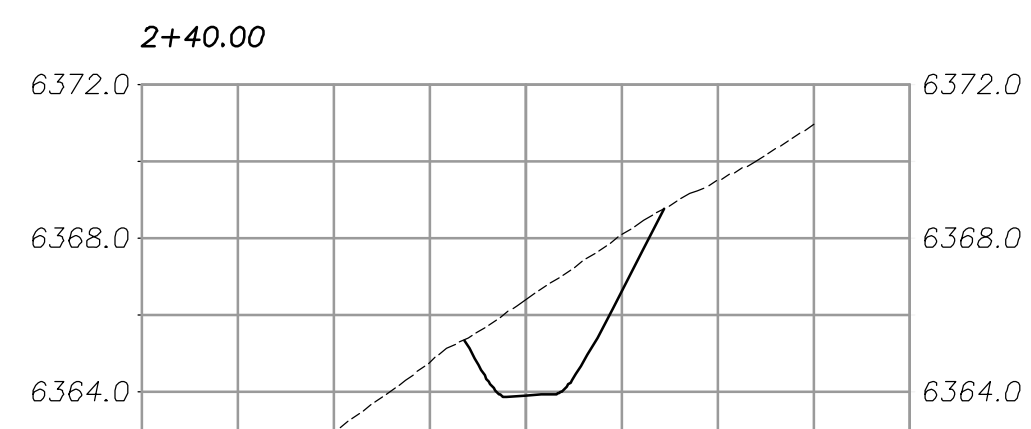
DEL NORTE BASIN WEST
TYPICAL SECTION



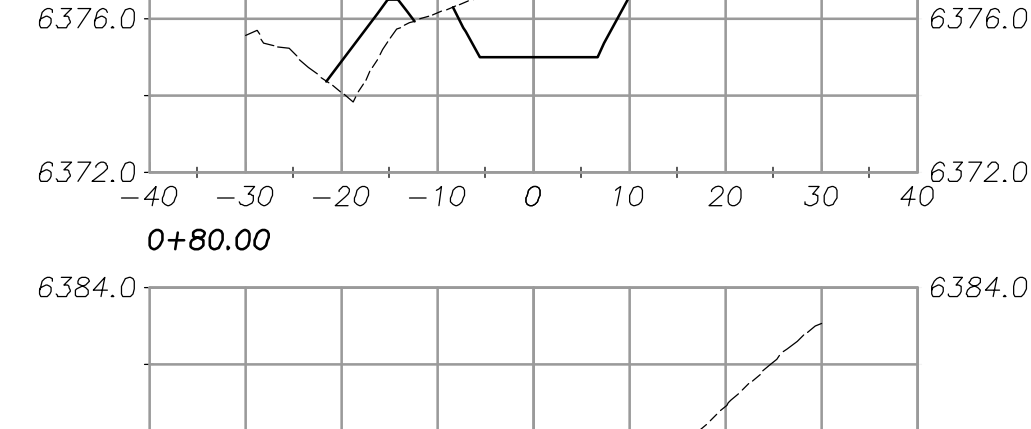
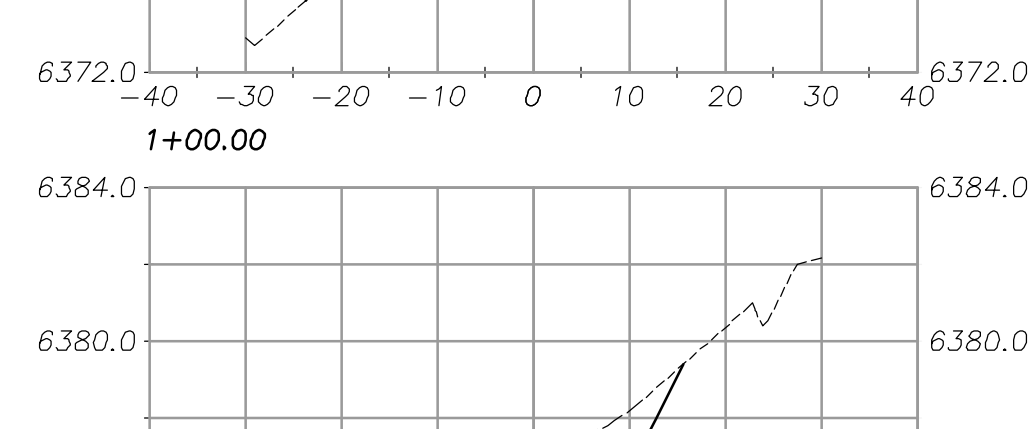
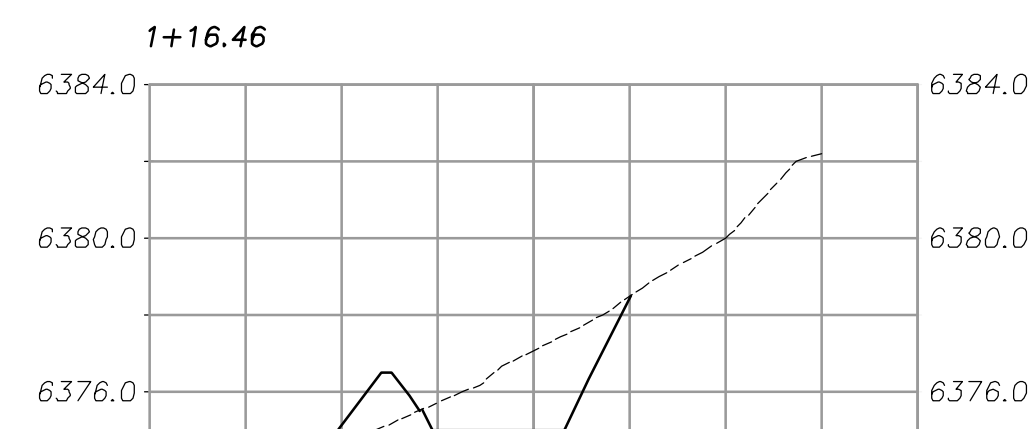
DEL NORTE BASIN EAST
TYPICAL SECTION



COLD CREEK BASIN WEST
TYPICAL SECTION

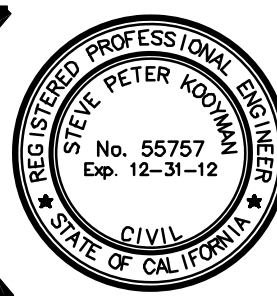


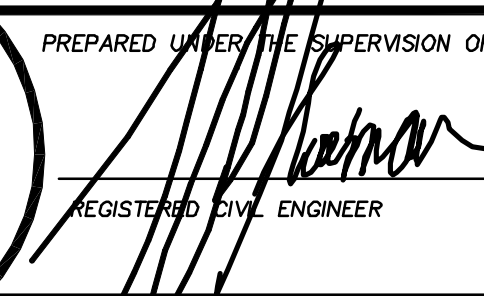
COPPER WAY BASIN
TYPICAL SECTION



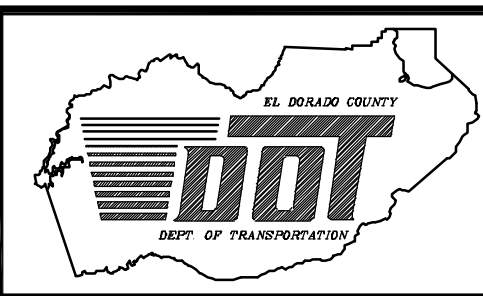
HUMBOLDT STREET BASIN
TYPICAL SECTION

REVISION	NUMBER	DATE	DESCRIPTION	BY



PREPARED UNDER THE SUPERVISION OF:

 REGISTERED CIVIL ENGINEER
 DATE: 4/5/2011

DESIGNED: DWK
 DRAWN: JTC
 CHECKED: DSP
 DATE: 03/2011
 ROAD NUMBER:



EL DORADO COUNTY
 DEPARTMENT OF TRANSPORTATION

MONTGOMERY ESTATES AREA 1A
 BASIN X SECTIONS

SHEET
X-2
 2 of 2
 CONTRACT NO.
PW 09-30485
 CIP No.
95155