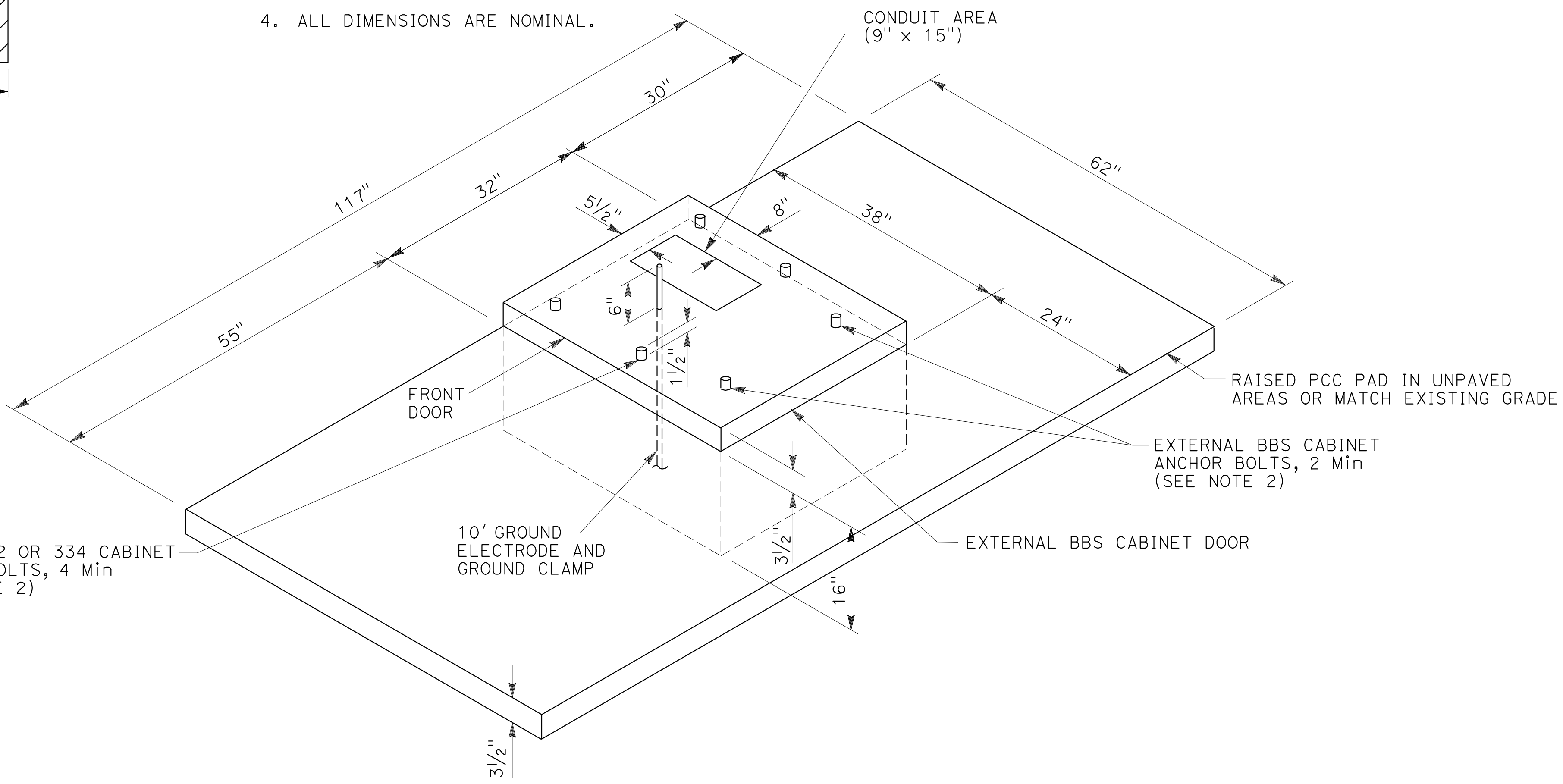


EXTERNAL BBS CABINET MOUNTED TO THE MODEL 332 OR 334 CABINET

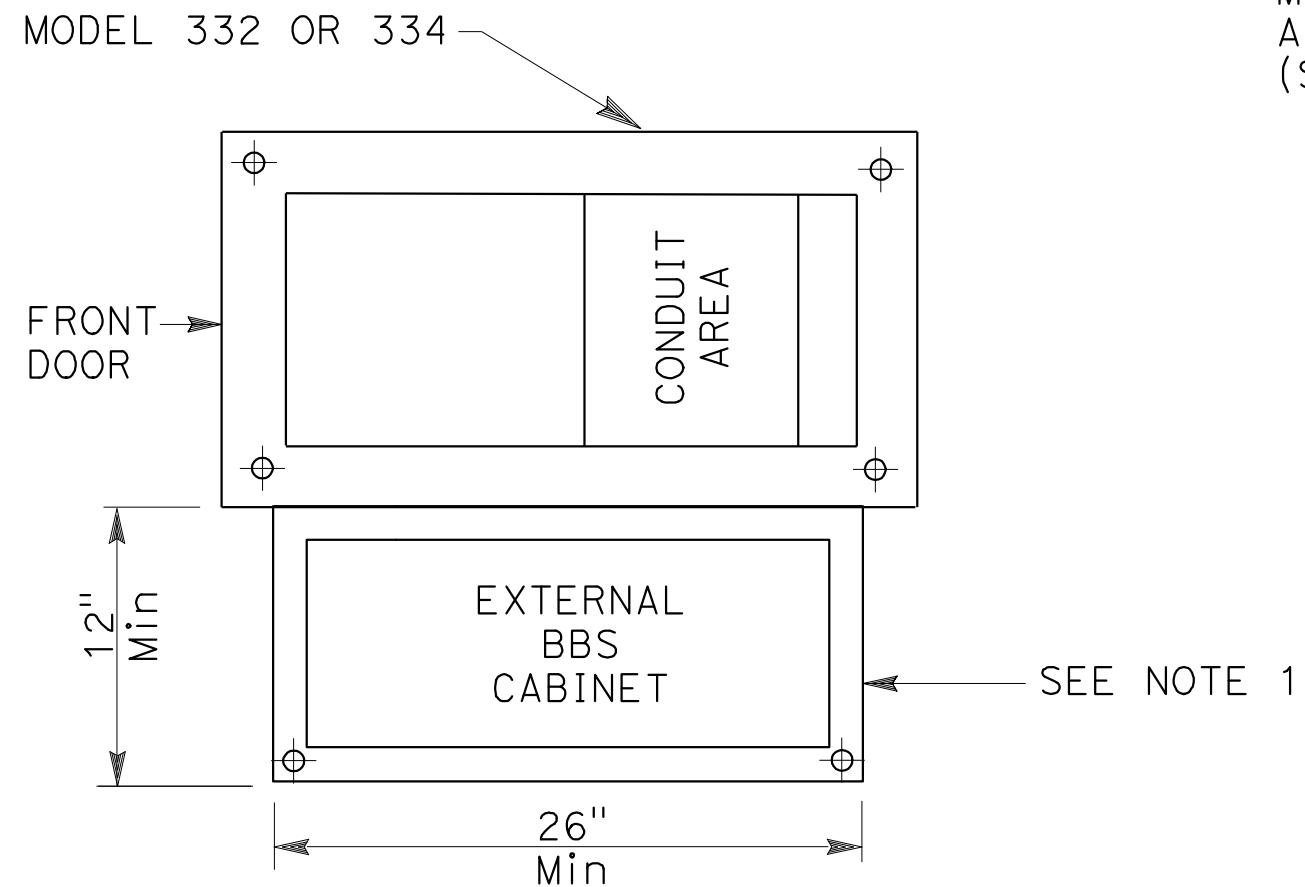
NOTE: (THIS SHEET ONLY)

1. THE EXTERNAL BBS CABINET SHALL BE MOUNTED TO THE MODEL 332 OR 334 CABINET WITH FOUR 18-8 STAINLESS STEEL HEX HEAD, FULLY-THREADED, 3/8"-16 X 1" BOLTS; TWO WASHERS PER BOLT, DESIGNED FOR 3/8" BOLTS AND ARE 18-8 STAINLESS STEEL, 1" OUTSIDE DIAMETER, ROUND, AND FLAT; AND ONE K-LOCK NUT PER BOLT THAT IS 18-8 STAINLESS STEEL AND A HEX-NUT. THE ENGINEER WILL HAVE TO APPROVE THE BOLT MOUNTING LOCATION PRIOR TO INSTALLATION.
2. THE ANCHOR BOLTS SHALL BE 3/4" Dia X 15" WITH A 2"-90° BEND. THE CABINET MANUFACTURER'S SPECIFICATION SHALL DETERMINE THE LOCATION OF THE ANCHOR BOLTS IN THE FOUNDATION. THE ENGINEER WILL HAVE TO APPROVE THE ANCHOR BOLTS AND ITS LOCATION IN THE FOUNDATION PRIOR TO CONSTRUCTION.
3. THE CONTRACTOR SHALL VERIFY THE DIMENSIONS OF THE BBS CABINET PRIOR TO CONSTRUCTING THE FOUNDATION OF THE MODIFIED PORTION OF THE S+D MODEL 332 AND 334 CABINET FOUNDATION. THE ENGINEER WILL HAVE TO APPROVE ANY NECESSARY DEVIATIONS PRIOR TO CONSTRUCTION.
4. ALL DIMENSIONS ARE NOMINAL.



MODIFIED MODEL 332 AND 334 CABINET FOUNDATION DETAIL FOR BATTERY BACKUP SYSTEM (BBS)

(FOR DIMENSIONS AND DETAILS NOT SHOWN AND ADDITIONAL NOTES, SEE SHEET ES-3C OF THE STANDARD PLANS FOR MODEL 332 AND 334 CABINETS)



BASE PLAN FOR BBS MOUNTED TO THE MODEL 332 OR 334 CABINET

(FOR DIMENSIONS AND DETAILS NOT SHOWN, SEE SHEET A6-1 TO A6-4, CABINET HOUSING DETAILS OF THE TRANSPORTATION ELECTRICAL EQUIPMENT SPECIFICATION (TEES))

ELECTRICAL SYSTEMS (BBS FOUNDATION DETAILS)

NO SCALE

THIS PLAN IS ACCURATE FOR ELECTRICAL WORK ONLY.



USERNAME => trpiece
DGN FILE => BBS Foundation.dgn

CU 00000

EA 00000

STATE OF CALIFORNIA - DEPARTMENT OF TRANSPORTATION
Caltrans
 FUNCTIONAL SUPERVISOR
 CALCULATED-DESIGNED BY
 CHECKED BY
 REVISED BY
 DATE REVISED

LEGEND: (THIS SHEET ONLY)

- PTS = POWER TRANSFER SWITCH
- UPS = UNINTERRUPTIBLE POWER SUPPLY
- UPSC = UNINTERRUPTIBLE POWER SUPPLY CONTROLLER
- UPSM = UPS MODE
- BP = BYPASS
- MBPS = MANUAL BYPASS SWITCH
- AC+ = UNGROUNDED CONDUCTOR
- AC- = GROUNDED CONDUCTOR
- C = COMMON
- Grn = GREEN
- Blk = BLACK
- Wh+ = WHITE
- SF = STATE-FURNISHED
- TB = TERMINAL BOARD
- Cntl = CONTROL
- Gnd = GROUND
- Temp = TEMPERATURE
- Batt = BATTERY

NOTES: (THIS SHEET ONLY)

1. TYPE A REFERS TO THE BBS EQUIPMENT FROM MANUFACTURER A.
2. CASE-1 REFERS TO THE SITUATION WHEN THE ENTIRE BBS EQUIPMENT INCLUDING THE BATTERIES ARE INSTALLED IN THE BBS CABINET.
3. THE LOCATION OF THE 2" NIPPLE WILL BE DETERMINED BY THE ENGINEER IN THE FIELD.
4. THE CONTRACTOR SHALL FURNISH AND INSTALL A NEMA-1 ENCLOSURE WITH 30 A, 1P, 120/240 VOLTS RATED CIRCUIT BREAKER MANUFACTURED PER UL STANDARD 489.
5. A TEMPERATURE PROBE SHALL BE ATTACHED TO THE BATTERY BY TAPE OR ATTACHED TO THE NEGATIVE TERMINAL OF THE BATTERY.
6. THE ELECTRICAL POWER FOR THE COOLING FAN FOR THE BBS CABINET SHALL BE TAPPED FROM THE BOTTOM OF THE TB IN THE 332 CABINET.
7. THE CONTRACTOR SHALL PROVIDE A 9-WIRE WIRING HARNESS OR BUNDLED 9 MULTICOLOR CONDUCTORS, #18 AWG WIRES FROM THE RELAY ON THE INVERTER/CHARGER UNIT TO THE CONTROLLER. THE ENDS OF THE CONDUCTORS SHALL BE INSULATED WITH TAPE AND A SIX-FOOT COIL ON EACH END.

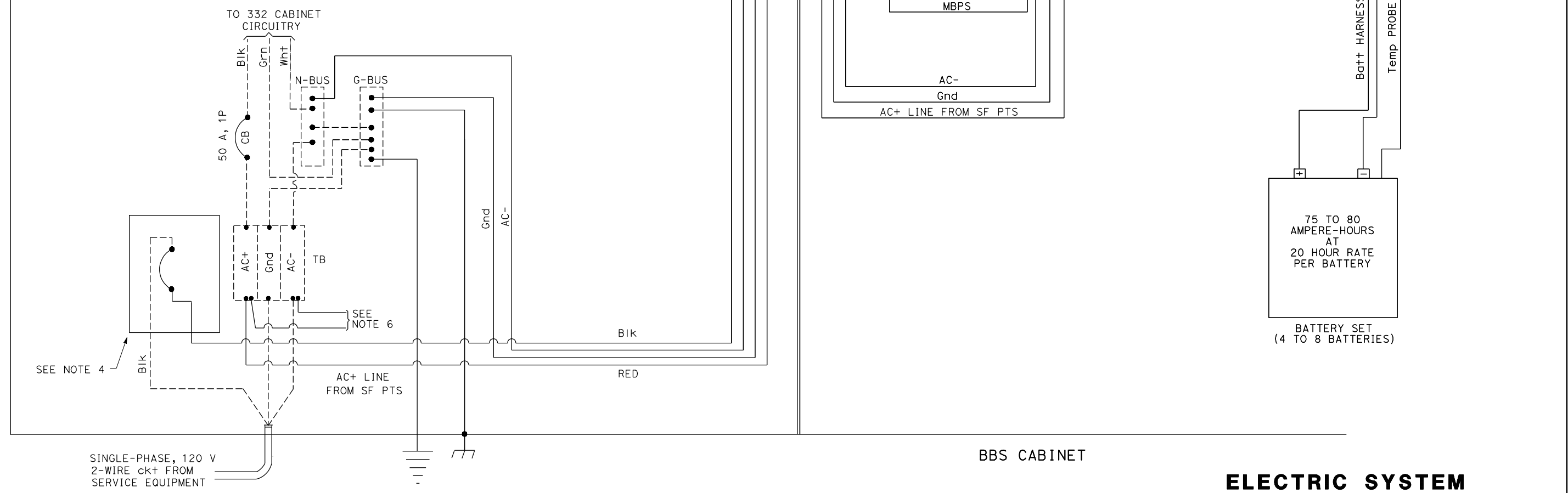
Dist	COUNTY	LOCATION CODE	POST MILES TOTAL PROJECT	SHEET No.	TOTAL SHEETS

Theresa Gabriel
 REGISTERED CIVIL ENGINEER
 12-20-07
 DATE

Theresa A. Gabriel
 No. E15129
 Exp. 6-30-10
 ELECT
 STATE OF CALIFORNIA

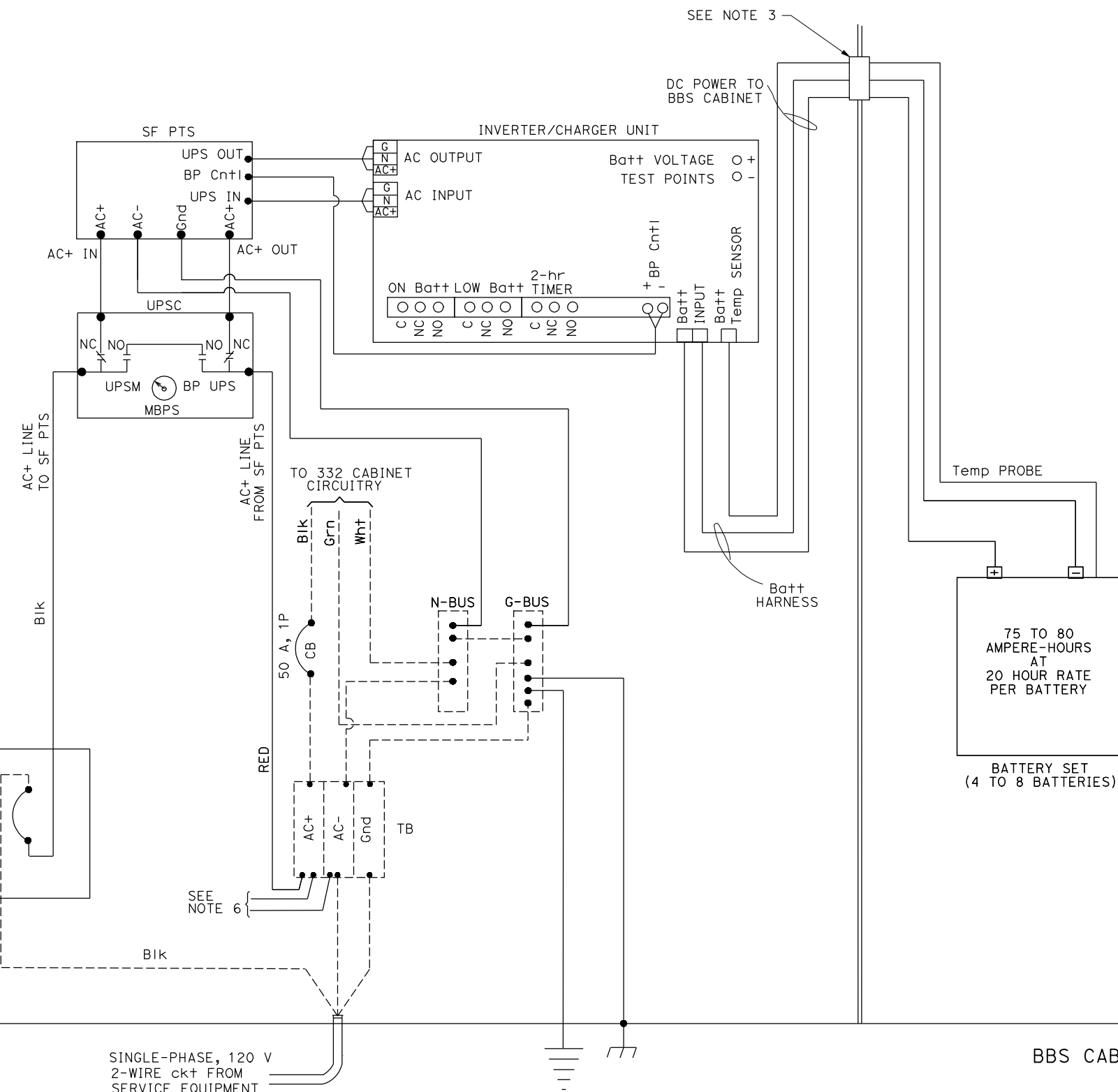
PLANS APPROVAL DATE

THE STATE OF CALIFORNIA OR ITS OFFICERS OR AGENTS SHALL NOT BE RESPONSIBLE FOR THE ACCURACY OR COMPLETENESS OF SCANNED COPIES OF THIS PLAN SHEET.



**ELECTRIC SYSTEM
 (BBS POWER CONNECTION DIAGRAM,
 TYPE A, CASE-1)**

Dist	COUNTY	LOCATION CODE	POST MILES TOTAL PROJECT	SHEET No.	TOTAL SHEETS
<i>Theresa Gabriel</i> REGISTERED CIVIL ENGINEER			12-20-07 DATE	REGISTERED PROFESSIONAL ENGINEER Theresa A. Gabriel No. E15129 Exp 6-30-10 ELECT STATE OF CALIFORNIA	
PLANS APPROVAL DATE					
<small>THE STATE OF CALIFORNIA OR ITS OFFICERS OR AGENTS SHALL NOT BE RESPONSIBLE FOR THE ACCURACY OR COMPLETENESS OF SCANNED COPIES OF THIS PLAN SHEET.</small>					



LEGEND: (THIS SHEET ONLY)

- PTS = POWER TRANSFER SWITCH
- UPS = UNINTERRUPTIBLE POWER SUPPLY
- UPSC = UNINTERRUPTIBLE POWER SUPPLY CONTROLLER
- UPSM = UPS MODE
- BP = BYPASS
- MBPS = MANUAL BYPASS SWITCH
- AC+ = UNGROUNDED CONDUCTOR
- AC- = GROUNDED CONDUCTOR
- C = COMMON
- Grn = GREEN
- Blk = BLACK
- Wht = WHITE
- SF = STATE-FURNISHED
- Batt = BATTERY
- Temp = TEMPERATURE
- TB = TERMINAL BOARD
- Cnt+ = CONTROL
- Gnd = GROUND

NOTES: (THIS SHEET ONLY)

1. TYPE B REFERS TO THE BBS EQUIPMENT FROM MANUFACTURER B.
2. CASE-2 REFERS TO THE SITUATION WHEN ONLY THE BATTERIES ARE INSTALLED IN THE BBS CABINET. THE REMAINING EQUIPMENT IS PLACED IN THE 332 CONTROLLER CABINET.
3. THE LOCATION OF THE 2" NIPPLE WILL BE DETERMINED BY THE ENGINEER IN THE FIELD.
4. THE CONTRACTOR SHALL FURNISH AND INSTALL A NEMA-1 ENCLOSURE WITH 30 A, 1P, 120/240 VOLTS RATED CIRCUIT BREAKER MANUFACTURED PER UL STANDARD 489.
5. A TEMPERATURE PROBE SHALL BE ATTACHED TO THE BATTERY BY TAPE OR ATTACHED TO THE NEGATIVE TERMINAL OF THE BATTERY.
6. THE ELECTRICAL POWER FOR THE COOLING FAN FOR THE BBS CABINET SHALL BE TAPPED FROM THE BOTTOM OF THE TB IN THE 332 CABINET.
7. THE CONTRACTOR SHALL PROVIDE A 9-WIRE WIRING HARNESS OR BUNDLED 9 MULTICOLOR CONDUCTORS, #18 AWG WIRES FROM THE RELAY ON THE INVERTER/CHARGER UNIT TO THE CONTROLLER. THE ENDS OF THE CONDUCTORS SHALL BE INSULATED WITH TAPE AND A SIX-FOOT COIL ON EACH END.

STATE OF CALIFORNIA - DEPARTMENT OF TRANSPORTATION
 Functional Supervisor
 Calculated-Designed By
 Checked By
 Revised By
 Date Revised
 Theresa Gabriel
 REGISTERED CIVIL ENGINEER
 No. E15129
 Exp 6-30-10
 ELECT
 STATE OF CALIFORNIA

ELECTRICAL SYSTEMS
(BBS POWER CONNECTION DIAGRAM, TYPE A, CASE-2)

NO SCALE

LAST REVISION: 2-2-09
 DATE PLOTTED => 13-MAR-2009
 TIME PLOTTED => 09:07

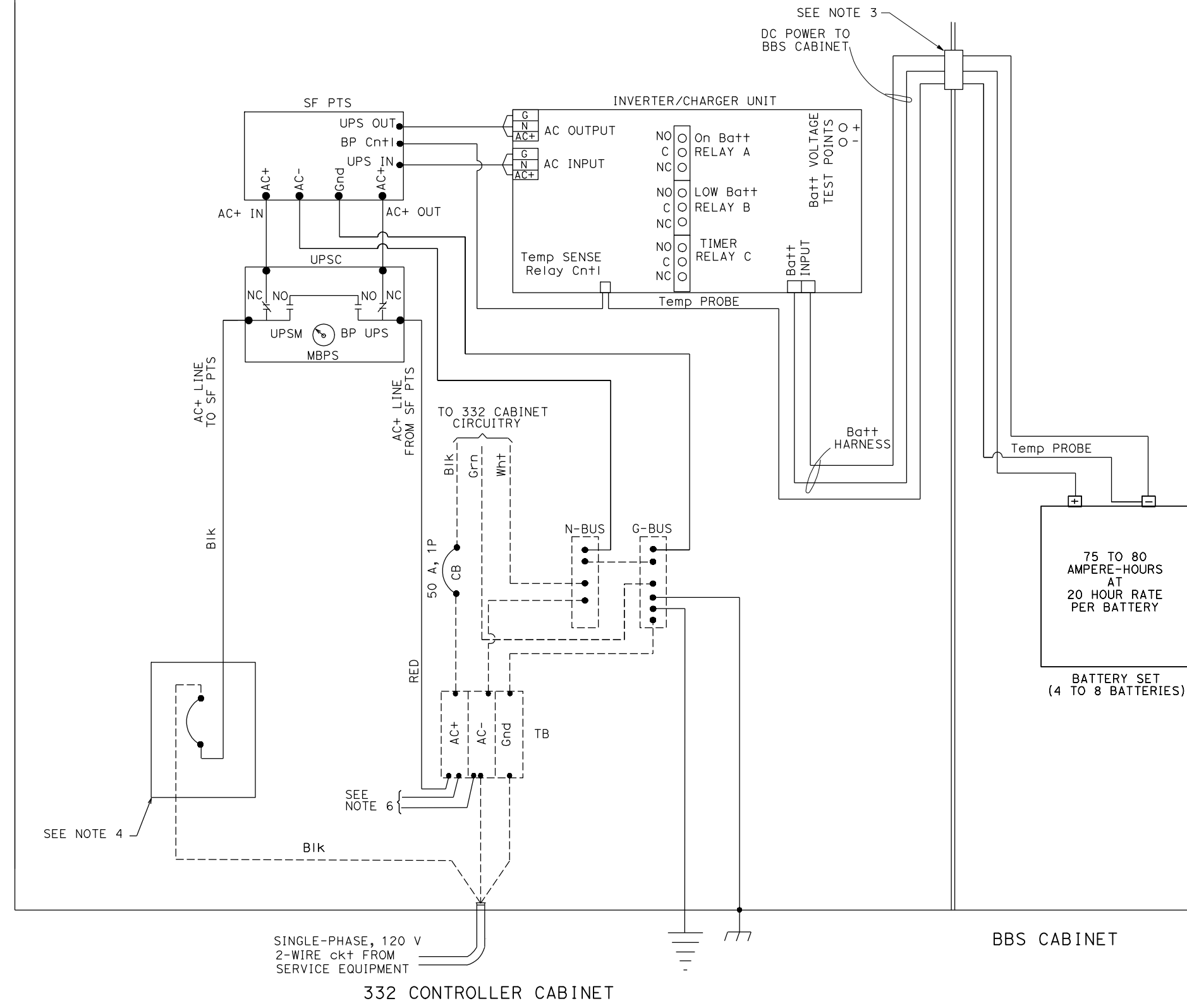
STATE OF CALIFORNIA - DEPARTMENT OF TRANSPORTATION
Caltrans
 FUNCTIONAL SUPERVISOR
 CALCULATED-DESIGNED BY
 CHECKED BY
 REVISED BY
 DATE REVISED

Dist	COUNTY	LOCATION CODE	POST MILES TOTAL PROJECT	SHEET No.	TOTAL SHEETS

Theresa Gabriel
 REGISTERED CIVIL ENGINEER DATE 12-20-07
 Theresa A. Gabriel
 No. E15129
 Exp 6-30-10
 ELECT
 STATE OF CALIFORNIA

PLANS APPROVAL DATE

THE STATE OF CALIFORNIA OR ITS OFFICERS OR AGENTS SHALL NOT BE RESPONSIBLE FOR THE ACCURACY OR COMPLETENESS OF SCANNED COPIES OF THIS PLAN SHEET.



LEGEND: (THIS SHEET ONLY)

- PTS = POWER TRANSFER SWITCH
- UPS = UNINTERRUPTIBLE POWER SUPPLY
- UPSC = UNINTERRUPTIBLE POWER SUPPLY CONTROLLER
- UPSM = UPS MODE
- BP = BYPASS
- MBPS = MANUAL BYPASS SWITCH
- AC+ = UNGROUNDED CONDUCTOR
- AC- = GROUNDED CONDUCTOR
- C = COMMON
- Grn = GREEN
- Blk = BLACK
- Wht = WHITE
- SF = STATE-FURNISHED
- Batt+ = BATTERY
- Temp = TEMPERATURE
- TB = TERMINAL BOARD
- Cntl = CONTROL
- Gnd = GROUND

NOTES: (THIS SHEET ONLY)

1. TYPE B REFERS TO THE BBS EQUIPMENT FROM MANUFACTURER B.
2. CASE-2 REFERS TO THE SITUATION WHEN ONLY THE BATTERIES ARE INSTALLED IN THE BBS CABINET. THE REMAINING EQUIPMENT IS PLACED IN THE 332 CONTROLLER CABINET.
3. THE LOCATION OF THE 2" NIPPLE WILL BE DETERMINED BY THE ENGINEER IN THE FIELD.
4. THE CONTRACTOR SHALL FURNISH AND INSTALL A NEMA-1 ENCLOSURE WITH 30 A, 1P, 120/240 VOLTS RATED CIRCUIT BREAKER MANUFACTURED PER UL STANDARD 489.
5. A TEMPERATURE PROBE SHALL BE ATTACHED TO THE BATTERY BY TAPE OR ATTACHED TO THE NEGATIVE TERMINAL OF THE BATTERY.
6. THE ELECTRICAL POWER FOR THE COOLING FAN FOR THE BBS CABINET SHALL BE TAPPED FROM THE BOTTOM OF THE TB IN THE 332 CABINET.
7. THE CONTRACTOR SHALL PROVIDE A 9-WIRE WIRING HARNESS OR BUNDLED 9 MULTICOLOR CONDUCTORS, #18 AWG WIRES FROM THE RELAY ON THE INVERTER/CHARGER UNIT TO THE CONTROLLER. THE ENDS OF THE CONDUCTORS SHALL BE INSULATED WITH TAPE AND A SIX-FOOT COIL ON EACH END.

**ELECTRICAL SYSTEM
 (BBS POWER CONNECTION DIAGRAM,
 TYPE B, CASE-2)**