


INDEX OF SHEETS


Sheet No. 1	Title and Location Map
" 2	Typical Cross Sections
" 3	Standard Plans List
" 4	Construction Staking Survey Control Data
" 5-17	Layouts
" 18-27	Profiles
" 28-32	Construction Details
" 33-40	Drainage Profiles, Details and Quantities
" 41	Stage Construction
" 42-48	Pavement Delineation Plan and Quantities
" 49-50	Summary of Quantities
" 51-55	Sign Plans and Quantities
" 56	Revised Standard Plan
" 57	New Standard Plan

STATE OF CALIFORNIA
DEPARTMENT OF TRANSPORTATION
 F-P049(79)
**PROJECT PLANS FOR CONSTRUCTION ON
 STATE HIGHWAY**
 IN EL DORADO COUNTY
 AT COOL FROM 0.1 MILE NORTH OF
 RATTLESNAKE BAR ROAD TO 0.2 MILE NORTH OF ROUTE 193

To be supplemented by Standard Plans dated January, 1988

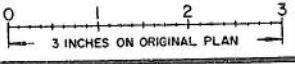
DIST	COUNTY	ROUTE	POST MILE TOTAL PROJECT	SHEET NO.	TOTAL SHEETS
03	ED	49	31.2/34.8	1	57



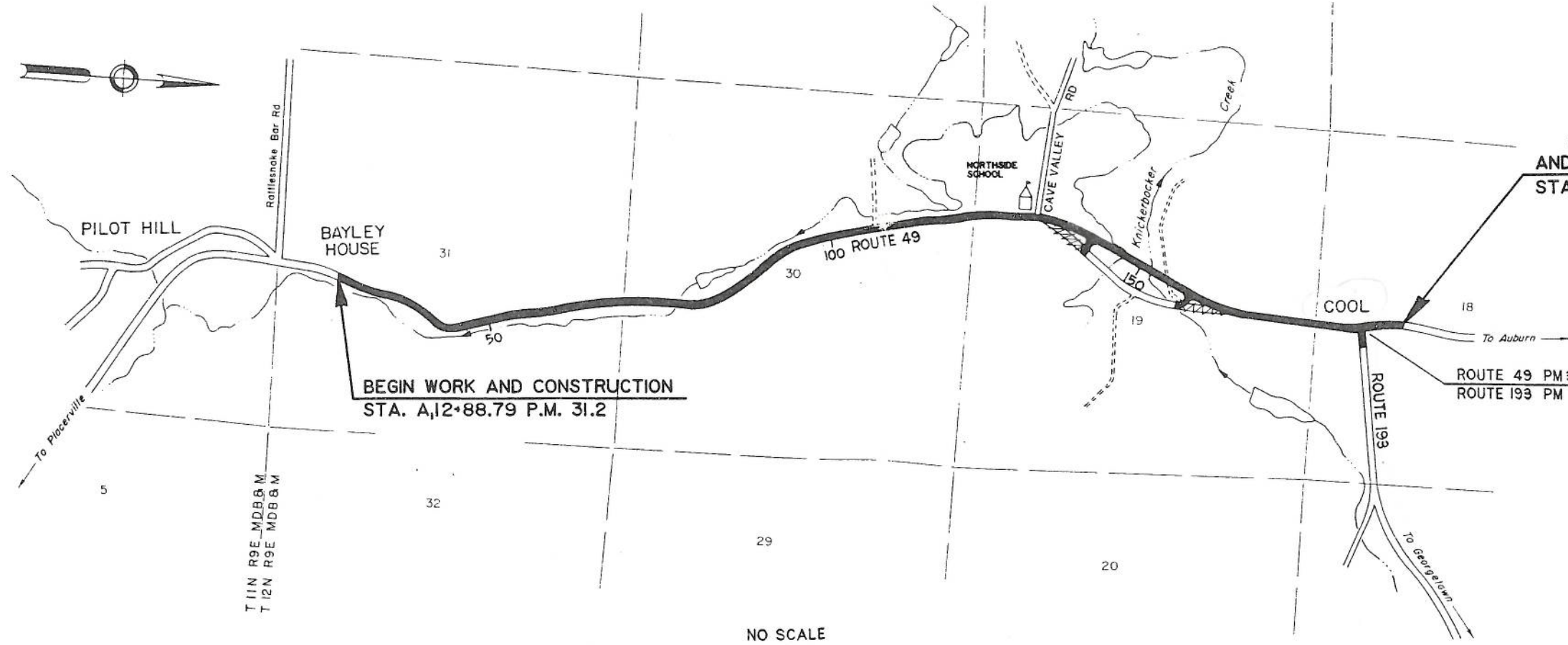


LOCATION MAP

REDUCED PLAN
 USE SCALE BELOW




3 INCHES ON ORIGINAL PLAN



END WORK AND CONSTRUCTION
 STA. A, 197+23.84 P.M. 34.8

BEGIN WORK AND CONSTRUCTION
 STA. A, 12+88.79 P.M. 31.2

ROUTE 49 PM 34.6, STA A, 186+49.19 =
 ROUTE 193 PM 0.0, STA B, 10+00.00


 Jesus M. Garcia
 District Director of Transportation
 Registered Civil Engineer
 No. 12287
 Exp. 3-31-89
 CIVIL
 STATE OF CALIFORNIA

January 3, 1989
 Plans Approval Date

Contract No. 03-294804

JOHN C. STEELE
 E.A. RINDE
 E.F. GALLIGAN

The Contractor shall possess the Class (or Classes) of license as specified in the "Notice to Contractors"

FOR REDUCED PLANS
 ORIGINAL SCALE IS IN INCHES

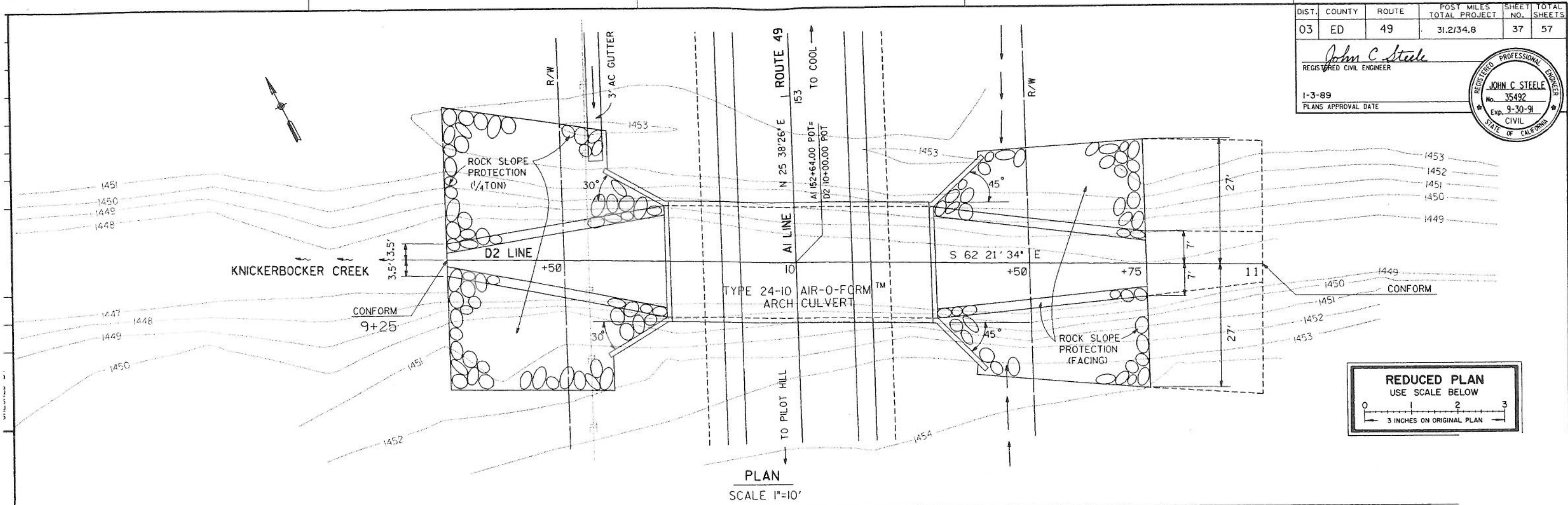


CU 03 210 EA 294801

DIST.	COUNTY	ROUTE	POST MILES TOTAL PROJECT	SHEET NO.	TOTAL SHEETS
03	ED	49	31.2/34.8	37	57

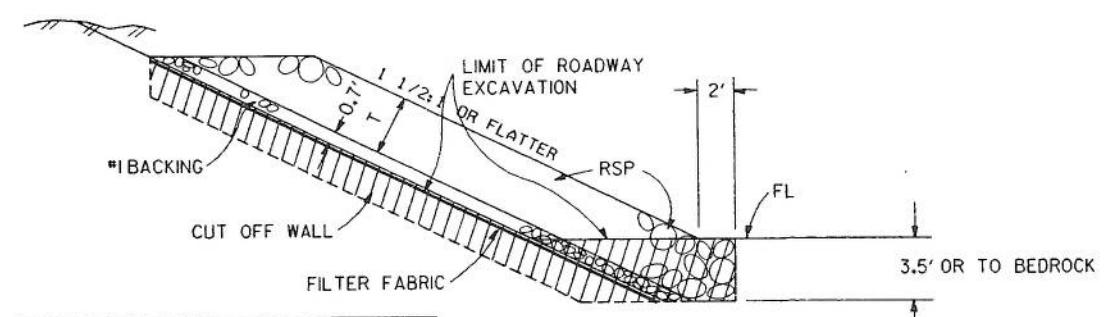
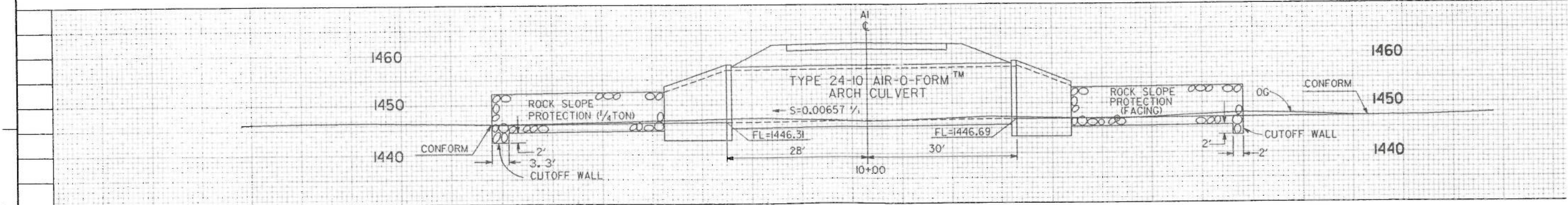
John C. Steele
 REGISTERED CIVIL ENGINEER
 No. 35492
 Exp. 9-30-91
 CIVIL
 STATE OF CALIFORNIA

1-3-89
 PLANS APPROVAL DATE



REDUCED PLAN
 USE SCALE BELOW

0 1 2 3
 3 INCHES ON ORIGINAL PLAN



T	ROCK SLOPE PROTECTION TYPE
3.3'	1/4 TON, METHOD B
2.0'	FACING, METHOD B

NOTE: 1. ELIMINATE #1 BACKING WHERE RSP IS FACING.
 2. STRUCTURE EXCAVATION (RSP)

RSP TYPICAL
 NO SCALE

DRAINAGE D-5
 DETAILS

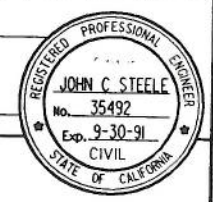
FOR REDUCED PLANS
 ORIGINAL SCALE IS IN INCHES

PLOTTING SCALE	10	03	210	EXPENDITURE UNIT	29480	DRAWING TYPE	D	SHEET NO.	05
----------------	----	----	-----	------------------	-------	--------------	---	-----------	----

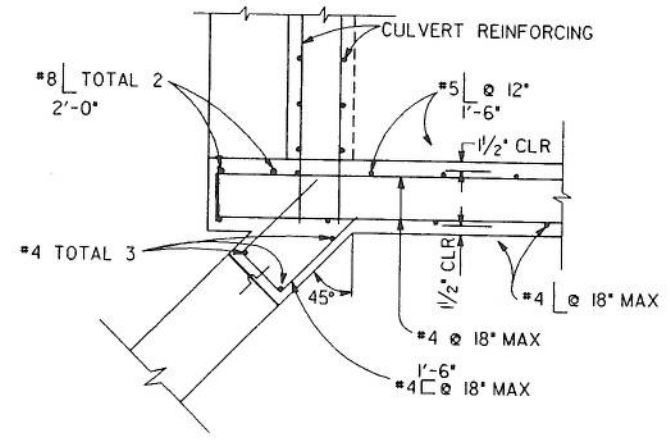
LAST REVISION
 10-25-81

DIST.	COUNTY	ROUTE	POST MILES TOTAL PROJECT	SHEET NO.	TOTAL SHEETS
03	ED	49	31.2/34.8	38	57

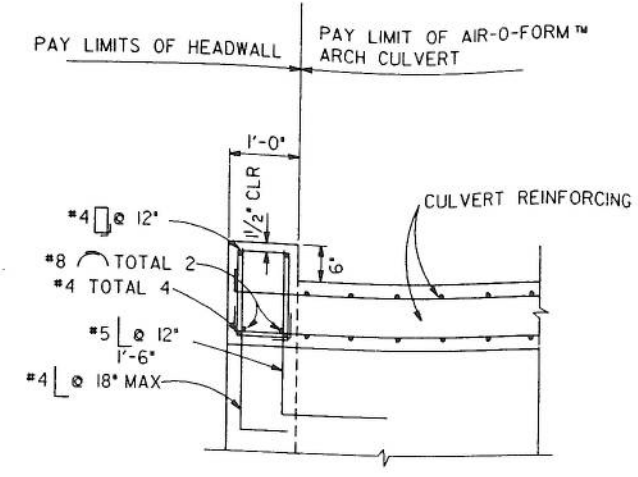
John C. Steele
 REGISTERED CIVIL ENGINEER
 No. 35492
 Exp. 9-30-91
 CIVIL
 STATE OF CALIFORNIA
 1-3-89
 PLANS APPROVAL DATE



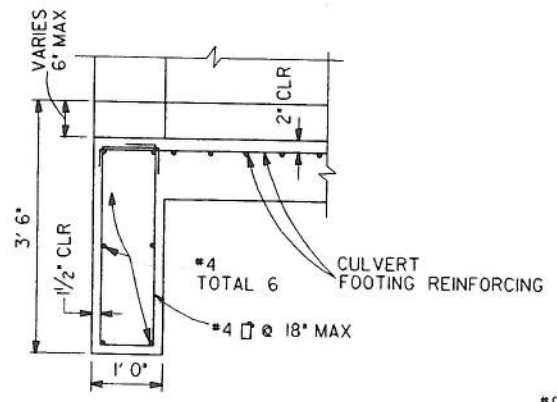
REDUCED PLAN
 USE SCALE BELOW
 0 1 2 3
 3 INCHES ON ORIGINAL PLAN



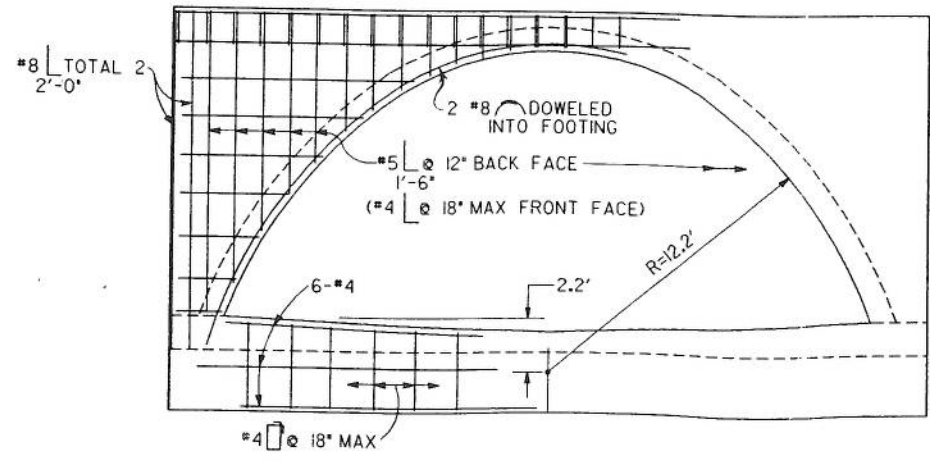
SECTION A-A
NO SCALE



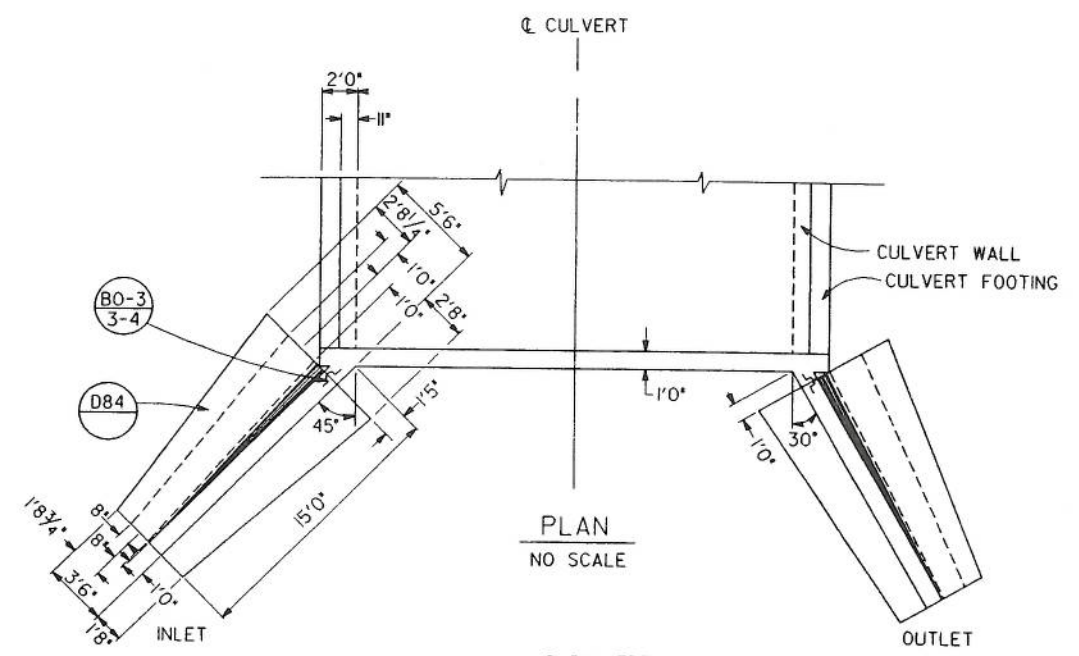
SECTION B-B
NO SCALE



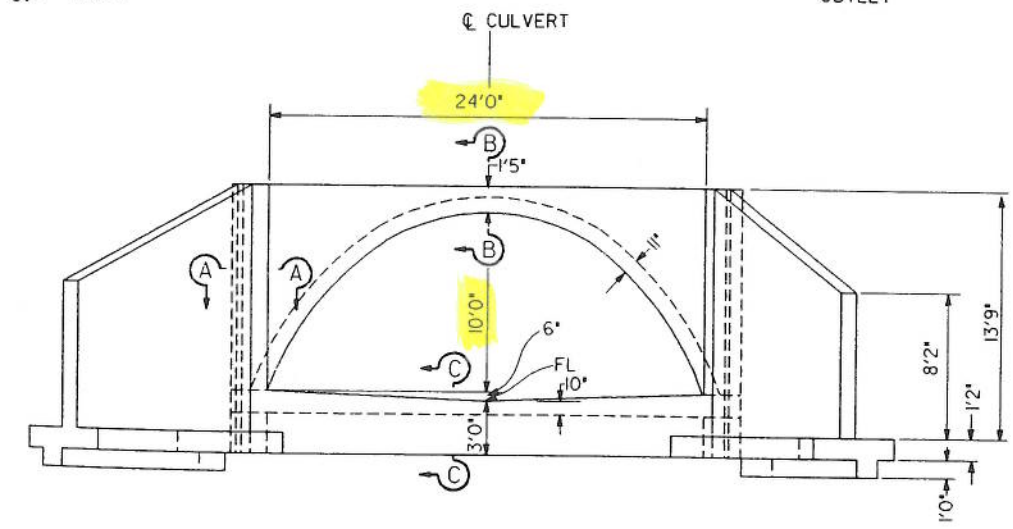
SECTION C-C
NO SCALE



HEADWALL REINFORCEMENT DETAIL
NO SCALE



PLAN
NO SCALE



ELEVATION
(SEE HEADWALL REINFORCEMENT DETAIL)
NO SCALE

TYPE "A" WINGWALL
NO SCALE

**AIR-O-FORM ARCH
 CULVERT DETAILS
 DRAINAGE D-6**

FOR REDUCED PLANS
 ORIGINAL SCALE IS IN INCHES
 0 1 2 3

SCALE	DIST.	UNIT	CHARGE AUTHORIZATION	EXPENDITURE TYPE	DRAWING SHEET NO.
5	03	210	29480	D	06

LAST REVISION
 12-1-88

DESIGNED BY DATE REVISED PROJECT ENGINEER DEPARTMENT OF TRANSPORTATION