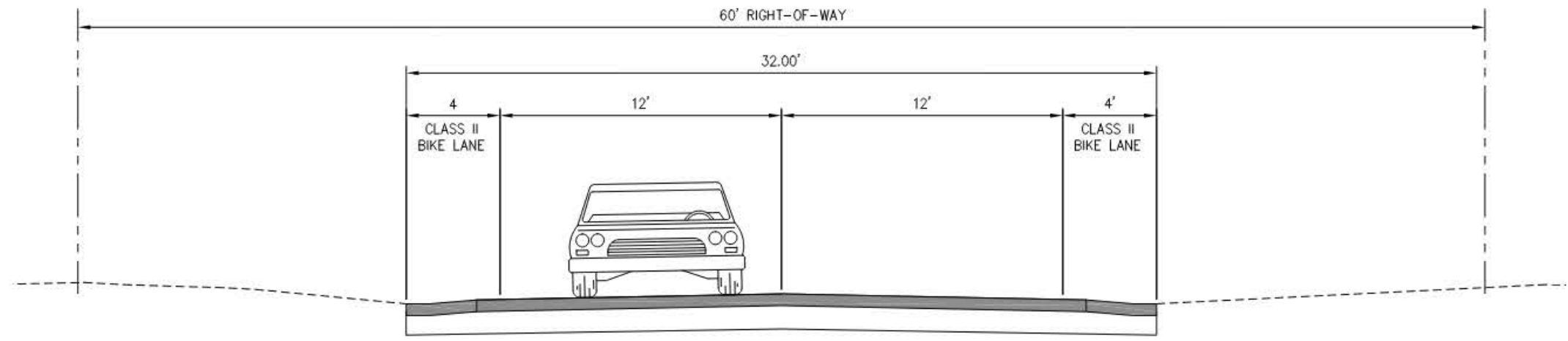


ORIGINAL SCALE IS IN INCHES
 Drawing name: \\CDADot5\ID-SLI-Engineering\Civil_3D_PROJECTS\95199\Exhibits\Caltrans\Apache Roadway Improvements.dwg Layout Tab: EX-1 Jan 27, 2021 - 8:43am dkk/ert
 FOR REDUCED PLANS
 2
 1
 0



APACHE AVENUE - PLAN

SCALE: 1"=100'



**SECTION A-A
TYPICAL ROADWAY**

NTS

EXISTING ROADWAY

**APACHE AVENUE
EXISTING ROADWAY CONFIGURATION
SCALE : AS SHOWN**

REVISION	NUMBER	DATE	DESCRIPTION	BY

PREPARED UNDER THE SUPERVISION OF :	DESIGNED: -	DRAWN: DWK
REGISTERED CIVIL ENGINEER	CHECKED: -	DATE: 01/22/21
DATE: _____	ROAD NUMBER: 2016	



**COUNTY OF EL DORADO
DEPARTMENT OF TRANSPORTATION**

APACHE AVENUE

SHEET
EX-1
1 OF 2
W.O. No. **95199**